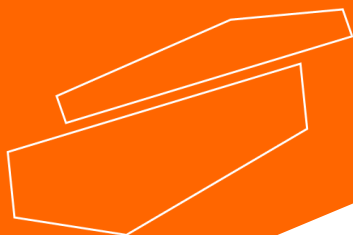




EVA180 Rotary evaporator

Please read the User Manual carefully before use, and follow all operating and safety instructions!



user manual

english / español / français / italiano

User Manual



LBX EVA180 Rotary evaporator

Preface

Users should read this manual carefully, follow the instructions and procedures, and beware of all the cautions when using this instrument.

Service

If help is needed, you can always contact your dealer or Labbox via www.labbox.com (declare an incidence)

Please, provide the customer service representative with the following information:








- Serial number (on the back side)
- Description of the problem
- Your contact information

Warranty

This instrument is guaranteed to be free from defects in materials and workmanship under normal use and service, for a period of 24 months from the date of invoice. The warranty is extended only to the original purchaser. It shall not apply to any product or parts which have been damaged on account of improper installation, improper connections, misuse, accident or abnormal conditions of operation.

For claim under the warranty, please contact your supplier.

1. Safety instructions

	Connect the equipment to a grounded power source to ensure the safety of the instrument and the experiment; connect power as per the equipment requirements.
	The use of this equipment in flammable, explosive, toxic or highly corrosive experiments is prohibited.
	Place the equipment on a horizontal, flat and stable table, creating a free space of 30 cm per side, allowing you to work comfortably. Make sure the surface is adequate for the weight of the equipment.
	The equipment must be used by qualified personnel who are familiar with the equipment and its operation through the user manual.
	Do not place the equipment in areas close to heat sources.
	While the machine is in operation, do not touch the heating surface to avoid burns.
	During operation, hazardous material such as flammable liquids or pathological material must be away from this area.
	Read the instruction manual before using the equipment and keep it on a place on which it can be accessed by anyone.
	Use the appropriate safety elements, such as eye protection, gloves, according to the information provided by the reagent's manufacturer.
	Pay special attention to splashes and protect yourself adequately.

-During the use of the equipment, use personal protective measures to avoid risks of possible damage such as:

- Splash burns and evaporation of liquids
- Poisoning by the emission of toxic or combustible gases
- Cuts or physical damage due to the use of fragile material such as glass.

-Beware of the dangers caused by:

- Flammable materials or media with a low boiling temperature
- Overfilling of the container
- Unsafe containers

- Make sure that the glass assembly has no stress due to the risk of breaking from causes as:
 - Mechanical hazards from the outside
 - Excess temperature in the equipment itself
- The temperature must be always set, at least, 25°C below the ignition temperature of the materials used
- Check equipment and accessories before each use and do not use components in poor condition
- Safe operation of the equipment is only guaranteed with the accessories described in chapter "Packing list". The accessories must be firmly attached to the equipment and cannot come loose
- Always turn off the power before installing accessories
- Do not cover the ventilation outlets of the unit to ensure adequate cooling of the rotary evaporator
- Adapt the quantity and type of solvent to the size of the distillation equipment
 - Please know that high concentrations of gases, steam or particular matters can escape through the cooler. Avoid this risk by using, for example, cold water traps, gas wash bottles or an effective extraction system, such as showcases
- The glassware is designed for operations with maximum vacuum of 10 mbar. The glass must be cooled down before its removal and reuse
 - Avoid formation of peroxide. Organic peroxides can accumulate in the distillation and generate exhaust residues that explode easily when decomposed
 - Never heat the evaporation flask in the bath without first actuating the rotary motion. In this way, you will avoid possible losses of your sample
 - Pay attention to the temperature setting; never leave the equipment unattended during operation and with the heating function on
 - Do not handle the rotary evaporator when the rotating piston is working. It is recommended to gradually increase and/or decrease the rotation speed if situations such as an irregular operation occur
 - The equipment can only be disconnected from the power outlet by pulling the plug base, not the cord
 - The voltage indicated on the equipment must correspond to the electrical network used
 - Make sure that the main power cord is not in contact with the heating surface. Do not cover the equipment
 - Keep the equipment away from high magnetic fields

2. Rules

This equipment is specially designed for distillations for educational, laboratory or industrial purposes. This apparatus is not suitable for use at home or in environments that could be hazardous to the user or the equipment.

With the accessories recommended by the manufacturer, this equipment is capable of the following actions:

- Rapid distillation of liquids
- Evaporation of solutions and suspensions
- Crystallization, synthesis or cleaning of chemicals
- Recycle solvents

3. Inspection

3.1 Reception

Carefully unpack the instrument and check that the equipment and/or accessories have arrived undamaged. If necessary, contact the supplier who supplied the equipment for technical assistance.



Note:

- If the equipment is damaged, it must not be connected to an electrical source.
- Ensure that the device is unlocked before turning it on.

3.2 Packing list

The package includes the following items:

Item	Quantity
Main Unit	1
Heating bath	1
Condenser	1
Distillation flask (29/32)	1
Collector flask (35/20)	1
Support rod	1
Power cable	1
User manual	1

Table 1

4. Control elements

4.1 Parts and controls

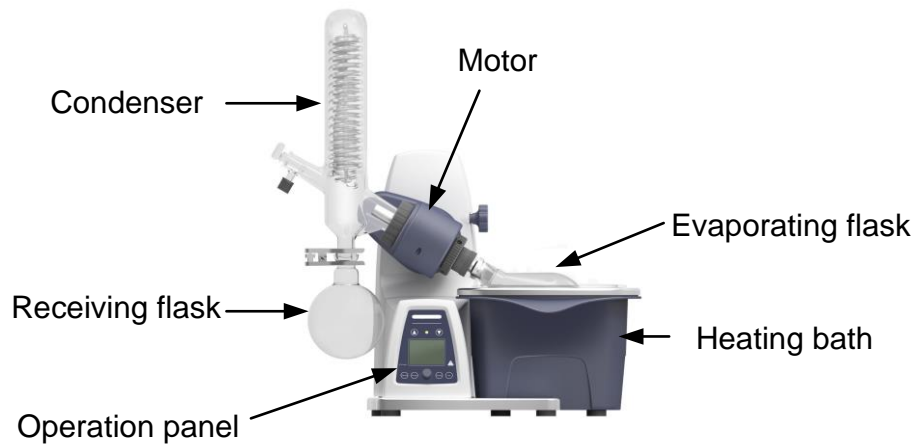


Figure 1

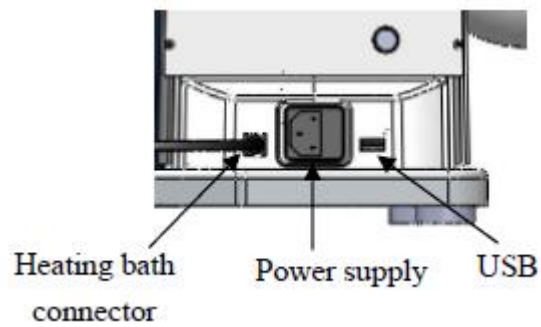


Figure 2

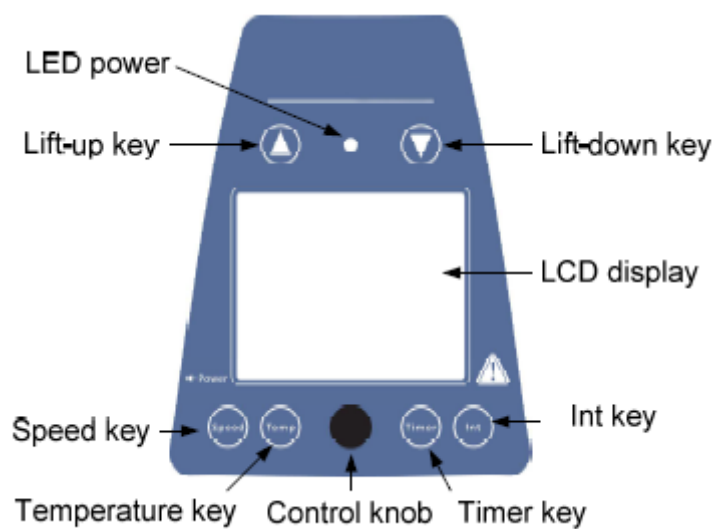


Figure 3

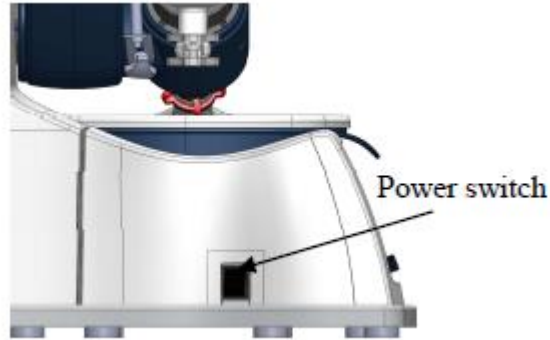


Figure 4

Items	Descriptions
Speed key Speed	Push the key and then rotate the control knob to set the rated speed in the range from 20 to 280 rpm
Temperature key Temp	Push the key and rotate the control knob to set the rated temperature in the range from room temperature to 180°C
Timer key Timer	Push the key and then rotate the control knob to set the rated time in the range from 1 to 999 min
Interval key Int	Push the key and then rotate the control knob to set the interval time for clockwise/counter-clockwise rotation from 1 to 999 s
Control knob	Rotate clockwise to increase the program values. Rotate anti-clockwise to decrease the program values. Press the knob, switch ON/OFF the unit
Lift-up key	Press the key, the lift will go up. Release the key and the lift will stop and remain in the same position
Lift-down key	Press the key, the lift goes down. Release the key the lift will stop and remain in the same position
LCD display	LCD displays the real working state
LED power	Power ON, power LED flashes. When the unit is running, LED power is lit
Power switch	Power ON or OFF

Table 2

4.2 Display

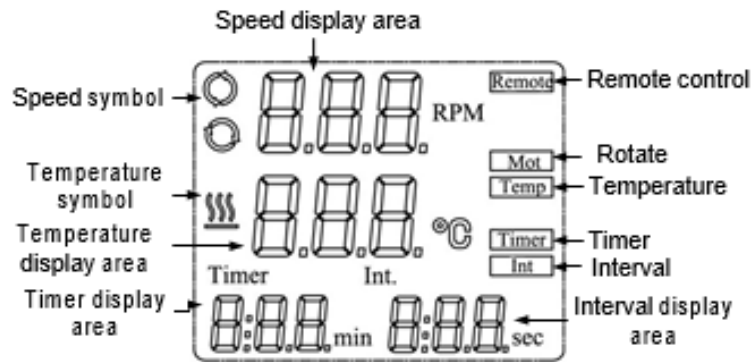


Figure 5

Display	Descriptions
Remote	Remote control
MOT	Rotating function is switched ON
Temp	Heating function is switched ON
Timer	Timer function is switched ON
Int	Interval function is switched ON
Speed display area	While setting the speed, displays the setting value with flashing. The setting value stops flashing when real speed reaches the set point
Speed symbol	Rotating function is switched ON
Temperature display area	While setting the temperature, displays the setting value. When the heating function is switched ON, displays the real value
Temperature symbol	Heating function is switched ON
Timer display area	While setting the timer, displays the rated time. When the timer function is switched ON, it displays the remaining time
Interval display area	Displays the Interval target value

Table 3

5. Installation and operation

This chapter includes how to install the equipment and instructions for a first set-up.

Note: *Inspect the instrument before first use and during unpacking. If necessary, contact the supplier who supplied the equipment and keep the original packaging.*

5.1 Installation

Locate the instrument in a stable place, with a horizontal surface and consider the maximum dimensions of the product. Perform the distillations under vacuum and with the device placed under an extractor hood

5.1.1 Base adjustment

Adjust the base to your workplace by turning the feet as shown in figure 6.

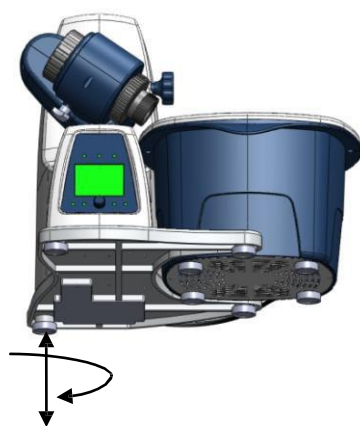


Figure 6

5.1.2 Working position and electrical connections

This equipment has a blocking lock for transport purposes. Proceed as follows so the device adopts its working position:

- Hold the lift with one hand in the same position as the equipment has been provided. Then, with the other hand, unscrew the locking key located on the back of the appliance (A).
- Once the lock has been removed, release the lift and you will see that it begins to rise slowly to the working position. The covered distance is 150 mm.
- Connect the equipment to the power supply (B)
- Connect the thermostatic bath to the device (C)

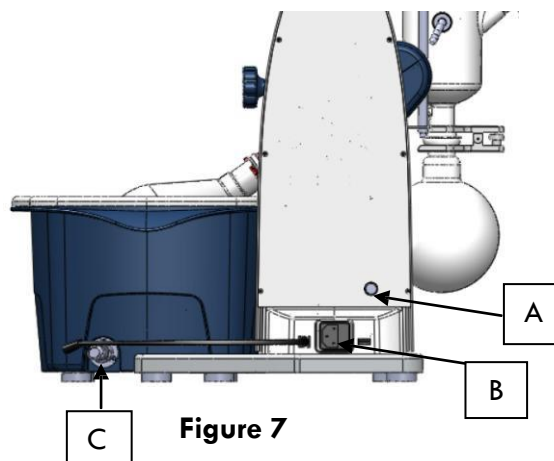


Figure 7

**Attention!**

Make sure the required voltage coincides with electric supply
Connect the instrument to a grounded power source

5.1.3 Adjusting the angle of rotation

- Using the knob (D), you can adjust the rotation angle of the evaporating flask. Turn the key anticlockwise to modify the rotation angle.
- Adjust, by hand, an angle of approximately 30°.
- Once the angle is fixed, close the key (D) by turning it clockwise. In this way, we hold the body that contains the glass parts

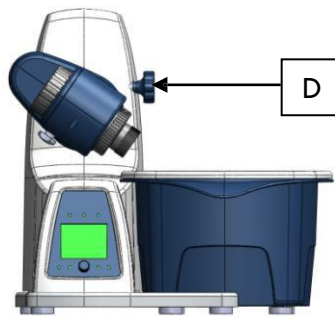


Figure 8

5.1.4 Steam step piece

To insert the evaporator tube (E), proceed with the following instructions:

- Open the locking device (F) by unscrewing the 4 screws located on the main unit by turning counterclockwise
- Insert the evaporator tube until it stops
- Open the locking device on the drive head by turning it 60° counter clockwise (E), (Figure 9)
- Feed the steam pipe in until it stops
- Then lock the locking device by turning it clockwise by 60°
- Close the blocking device by turning it clockwise and inserting again the 4 screws for a better seal

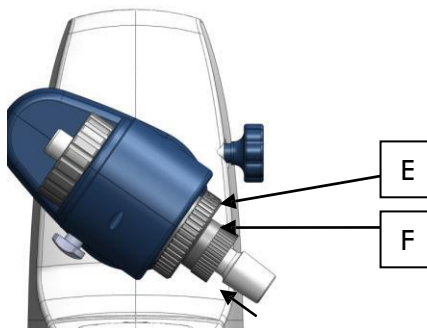


Figure 9

The plastic screw nut (F) helps to create a hermetic seal without tensioning the contact part.

- To install the nut, it is only necessary to insert it through the evaporation tube and screw it in clockwise.

5.1.5 Condenser board

The condenser gasket allows the hermetic seal and guarantees the vacuum of the equipment. It is located in the contact part with the condenser. To install it, observe the following images:

Note: Prior to commissioning, hand-tighten the plastic screw nut (F) left-aligned.

Installing condenser seal (Figure 10 and Figure 11):

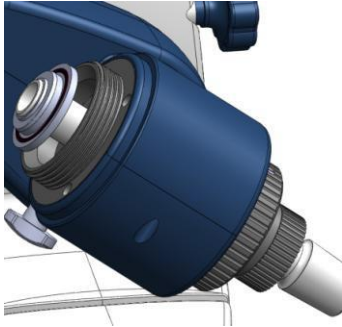


Figure 10

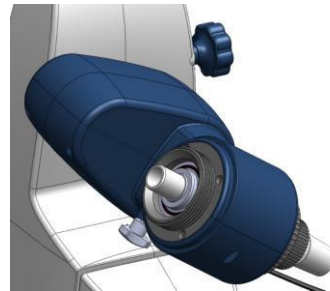


Figure 11

Note: Chapters 5.1.2 and 5.1.3 they do not require installation because they have already been mounted at the factory. It is only necessary to perform this installation when you want to make a change of accessories in the equipment or maintenance. See list of accessories in chapter "9: Accessories and spare parts".

5.1.6 Condenser

- Insert the nut (H) first and place the locking spring (I) into the condenser
- Once the assembly is done, place and install it in the main body by turning the nut (H) clockwise
- To make a better seal, turn on the equipment and rotate at 200 rpm for 2 minutes.

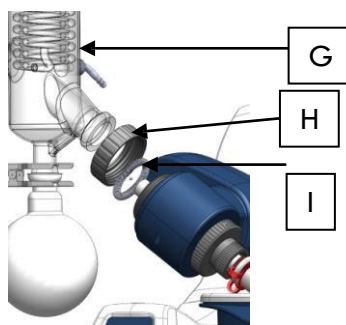


Figure 12

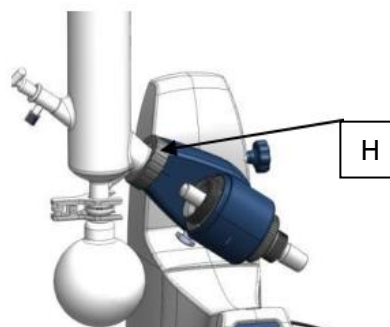


Figure 13

5.1.7 Support rod

The support rod contains a tape that holds the glass assembly. This accessory is optional and has the sole purpose of providing additional stability to the equipment. Especially, we recommend it for glass assemblies that contain a condenser.

-To install the support rod (J), it is necessary to use the locking key (A) removed in chapter "5.1.2 Working position and electrical connections" (Figure 7)

-Position the support rod between the refrigerator and the main body; use the lock key (A) and the screw at the bottom of the motor where there is a slot for that purpose. Once the position is fixed, use the tape provided with all the equipment to surround the condenser and join it with the locking device

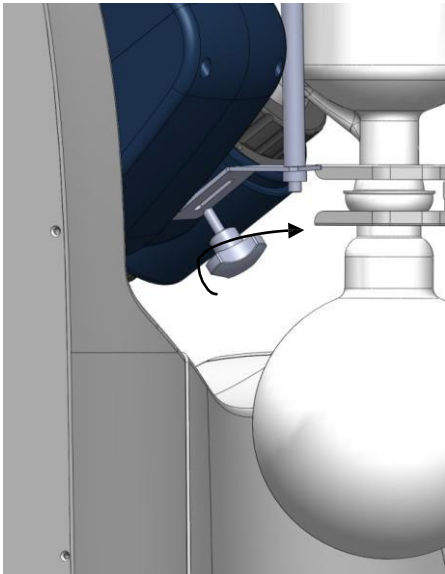


Figure 14

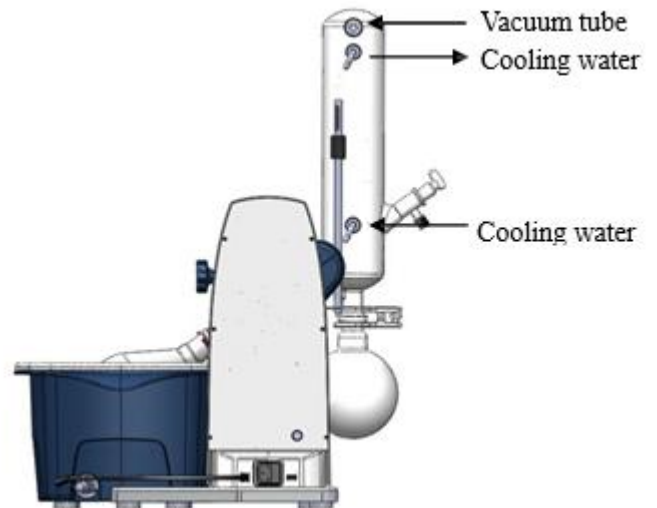


Figure 15

5.1.8 Connections of the tubes

The following image shows a diagram of the connection of the equipment tubes:

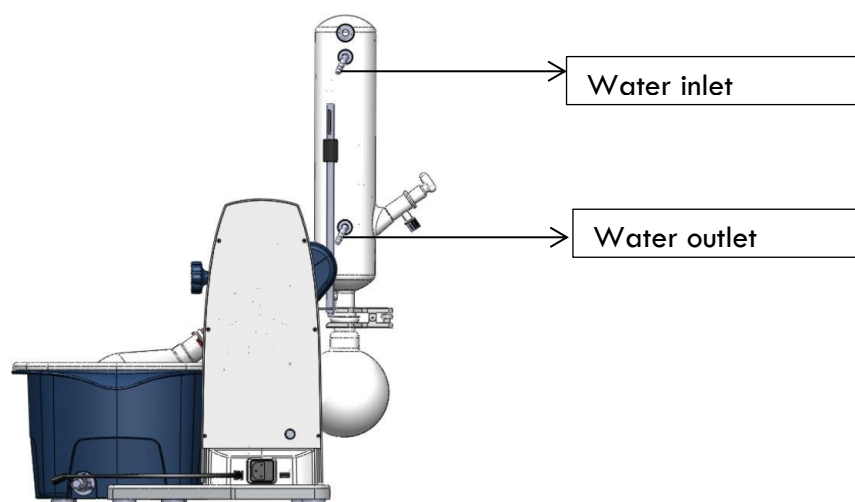


Figure 16

5.1.8.1 Connection pipes with water

While the tubes for condenser water are being connected, keep the following notes in mind:

- Use the connectors for red tubes that we provide with the equipment
- The tubes used must have a diameter equal to the connector, approximately 8mm, see section "9: Accessories and spare parts" to see our references
- For safety reasons, try to secure the tubes with clamps, we recommend that you look at section "9: Accessories and spare parts"
- Check the tubes from time to time and replace them when they are brittle or broken


5.1.8.2 Empty tubes

When connecting the tubes to perform the vacuum in the equipment, keep in mind the following indications:

- Use the connectors for red tubes that we provide with the equipment
- The tubes used must have a diameter equal to the connector, approximately 8 mm, see section "9: Accessories and spare parts" to see our references
- Keep the vacuum tubes as short as possible
- The vacuum pipe does not need to be secured
- Check the tubes from time to time and replace them when they are brittle or broken

5.2 Operation

This chapter explains how to operate the equipment with the different elements and the possible modes of operation properly and safely.

	<p>Warning</p> <p>Risk of injury</p> <p>Do not operate this instrument if the glass is broken</p>
---	---

5.2.1 Motor height adjustment


For a more ergonomic working position, the height of the motor can be adapted to the user requirements. If you want to modify the height, proceed as follows:

- Once the equipment is turned on, press the (up) or (down) button and the height will change
- If you want to finish the height adjustment, stop pressing the button and the movement will stop automatically

5.2.2 Bath temperature adjustment

As soon as you turn on the device with the on / off button, the thermostatic bath will start to heat up if the actual temperature is below the set temperature.

To adjust a temperature, press the "temp" button and, turning the control knob, select the needed temperature. To confirm the action, press the control knob.

	<p>Warning</p> <p>The thermostatic bath can reach temperatures above 100°C. To avoid burns, consider:</p> <ul style="list-style-type: none">- To remove the evaporating flask from the bath- To make sure that the liquid does not overflow the bath when the bottle is submerged
---	---


5.2.3 Adjusting the angle of rotation

The immersion angle inside the thermostatic bath is, by default, 30°. If you need to operate with another angle, for example, when operating with a bottle of different dimension, the angle can be adjusted:

-Turn off the instrument

-With one hand hold the glass assembly, that is, the condenser next to the collecting flask; with the other hand, turn and open the key located on the motor (see chapter 5.1.3).


-Once the key is open, adjust the angle that best suits you. When the angle is adjusted, close the key to fix the rotation position.

	<p>Warning Risk of injury -Never operate this instrument if the glassware is broken</p> <p>Attention! Risk of damage to the instrument -Do not adjust the angle of rotation while the equipment is operating</p>
---	--

5.2.4 Speed adjustment

Perform the following instructions if you want to change the rotation speed of the equipment:

-Press the "speed" button and, by turning the control knob, select the required speed. Press the control knob to confirm the action.

	<p>Warning Risk of damage to the instrument -Adjust the speed of rotation to the dimensions of the bottle and the properties of the solvent</p>
---	---

5.2.5 Timer setting

If you wish to work during specific periods of time, proceed as follows:

-Press the "timer" button and choose the desired operating time (min) by turning the control knob.

-Press the control knob to confirm

-To turn off this function, set the time value to "0" and press the control knob to confirm

5.2.6 Distillate conditions

To achieve optimum distillation conditions, the distillation energy that is provided by the thermostatic bath must be removed by the condenser. To ensure this, operate the instrument according to the following standard rule:

-Cooling water: max. 20°C

-Steam: 40°C

-Thermostatic bath: 60°C

How are these conditions achieved?

- Set the thermostatic bath to 60°C
- Set the cooling temperature to a maximum of 20°C
- With a gauge, grant a speed of approximately 40-50 l/h of cold water through the condenser
- Define the vacuum in such a way that the boiling point of the solvent is 40°C

Note: The corresponding pressure can be found in the table of solvents in chapter 12

Advantages associated with a bath temperature of 60°C:

- The evaporation bottle can be removed without risk of burns
- The rate of water evaporation in the bath is low (low loss of energy)
- The thermostatic bath energy is used with a good degree of efficiency

This rule can also be applied at low bath temperatures, such as:

- Cooling water: 0°C
- Steam: 20°C
- Thermostatic bath: 40°C

5.2.7 Distilled

To start operating with the instrument, comply with the following conditions:

- All electrical connections must be connected
- All sealing is installed correctly
- All joints or contact parts must be greased

To start operating the instrument, follow these indications:

- Turn on the equipment
- Allow cold water to flow through the condenser at a maximum temperature of 20°C and a flow rate of 40-50 l/h
- Set the temperature of the thermostatic bath to the desired value as described above and wait for the bath to reach the target temperature
- Fill the evaporator bottle with the solution to be distilled and make sure it does not exceed a maximum weight of 3 kg
- Assemble the bottle, using tweezers and grease or Vaseline

Note: Choose the pressure so that the boiling point of the solvent is 40°C (see the table of solvents, in chapter 12)

- Adjust the rotation speed

If these operations above are normal, the device is ready to operate. If not, the device may be damaged during transportation, please contact manufacturer/supplier for technical support.



Warning

It is forbidden to transfer the flask while the instrument is in use

6. Faults

This chapter helps to summarize the operations after a minor problem has occurred with the instrument. All possible problems are listed and also, their possible solutions.

6.1 General malfunction and its solutions

The equipment does not turn on:

- Check if the power line is disconnected
- Check that the cable is correctly connected both to the equipment and to the electrical network

The thermostatic bath does not heat:

- Check that it is properly connected to the main body
- Replace the fuse. If the malfunction occurs again, contact the supplier that provided the equipment

The elevator does not work correctly:

- Contact directly with the supplier who provided the equipment

The bottle does not rotate properly:

- Adjust a rotation speed of 0 rpm and, increase the speed of rotation slowly until the rotation motor rotates the bottle
- Restart the instrument

The system is leaking or spilling liquid:

- Grease the joints at the points of contact between materials
- Check the connection of the tubes and adjust them correctly
- The pipe is broken. In this case, replace the tubes
- The sealing system is broken or has not been installed correctly. Check the sealing system explained in chapters 5.1.4 and 5.1.5
- In case you do not fix the fault, replace the vacuum seal or condenser seal

6.2. Malfunction of the vacuum system and its solutions

It does not manage to perform the vacuum in the whole system:

- Please check and make sure that all the joints are greased and perfectly fitted
- If you are using a water vacuum pump to perform the vacuum, open the tap connected to the water vacuum pump to the maximum

The distillation gradually disappears:

- Manually decrease the pressure until the distillation starts again
- If the problem persists, stop the rotation and the pump, open the vacuum valve and check and make sure that there isn't any leaks and that all the joints are greased and perfectly fitted

The distillation stops completely:

- Stop the rotation and the pump, open the vacuum valve and check and make sure that all the joints are greased and perfectly fitted

7. Maintenance and cleaning

This chapter gives you instructions on all maintenance work in order to keep the instrument in good working condition.



Warning

Electrical hazard

The maintenance work must be done with the equipment switched off and remove sources of flammable vapor

7.1 Equipment accommodation

Check the accommodation where you want to place the equipment by default (controls, pests) and clean it regularly with a damp cloth.

7.2 Connection of the tubes

Visually inspect the pipe connection regularly. When the tubes look broken or cracked, replace them with new ones.

“Go to chapter 10 of accessories to see the list of items we can provide.”

7.3 Sealing system



Attention

When removing and reinstalling vacuum seals, ensure not to damage them during handling
Never touch vacuum seals with a sharp object because they may become damaged

7.3.1 Replacement of seals

The seals are subject to a lot of tension and, generally, it is one of the parts that suffer more from the whole team. Check your status regularly and, if necessary, replace them. “See chapter 6.2” to detect possible faults and “chapter 5.1.5” to install the sealing system. Contact the dealer who supplied the equipment for more information.

7.4 Thermostatic bath

The interior surface of the thermostatic bath should be washed if:

- The water used in the bath is calcified or contaminated
- If you use oil instead of water, you must wash the internal surface of the bath when the oil varies in appearance (color, viscosity ...). For this purpose, empty the thermostatic bath in a safe place

7.5 Glass components

To prolong the life of the glass components, consider the following instructions:

-Rinse the glass components with water and a cleaning agent

Note: We advise to wash all glass parts manually.

Note: Use recommended cleaning products in the following situations:

Colorants	Isopropyl alcohol
Construction materials	Water with surfactants / Isopropyl alcohol
Cosmetic products	Water with surfactants / Isopropyl alcohol
Food products	Water with surfactants
Fuels	Water with surfactants

Table 4

8. Specifications

Items	Specifications
Voltage [VAC]	100-240
Frequency [Hz]	50/60
Power [W]	1400
Motor	External rotor brushless motor
Speed Range [rpm]	20-280
Speed Display	LCD
Reversible Direction of Rotation	Yes
Temperature Range [°C]	RT -180
Heat Control Accuracy [°C]	±1
Temperature Display	LCD
Heat Output [W]	1300
Lift	Motor
Stroke [mm]	150
Timer [min]	1-999
Overall Dimensions [D×W×H, mm]	465×457×583
Weight [kg]	15
Permissible Ambient Temperature [°C]	5 - 40
Permissible relative humidity	80%
Protection Class acc. To DIN E N60529	IP20
USB	Yes

Table 5

9. Accessories and spare parts

This chapter includes accessories, sealing items and glassware that can be provided.

Use only the accessories of LABBOX to guarantee the operation of the equipment and ensure a good functioning of the system.

9.1 Glass assembly

Labbox reference	Description
REVA-A01-001	Vertical glass set, includes condenser, distillation flask (269/32) and collector flask (35/20)
REVA-A02-001	Collecting flask (35/20), capacity 1000ml
REVA-A03-001	Piece steam step

Table 6

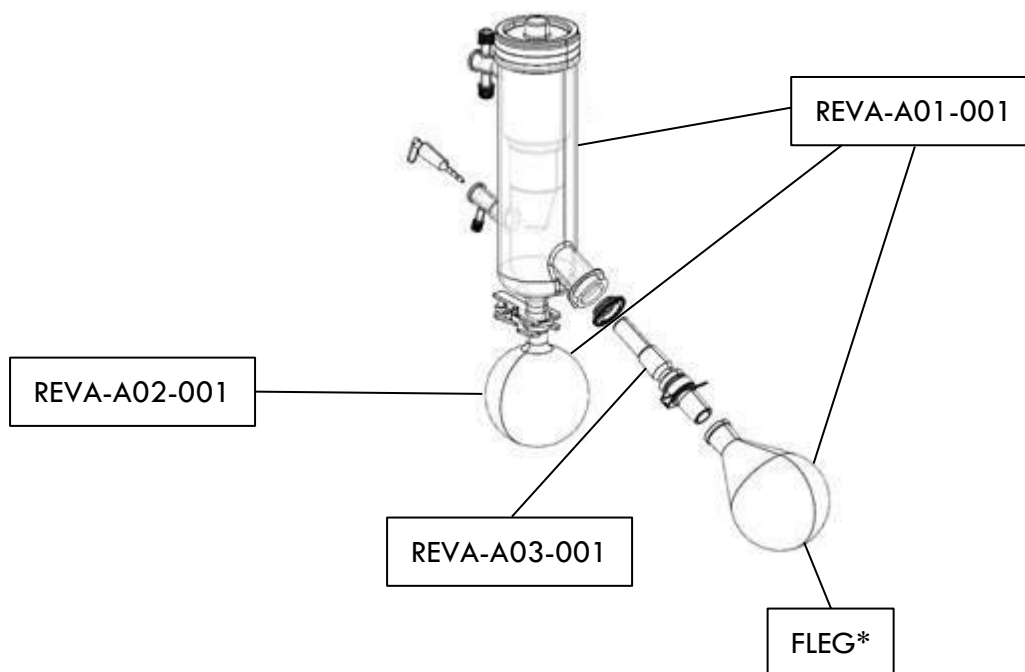


Figure 17

*

Evaporation flask	Capacity
FLEG-051-001	50 ml
FLEG-101-001	100 ml
FLEG-250-001	250 ml
FLEG-500-001	500 ml
FLEG-1K0-001	1000 ml
FLEG-2K0-001	2000 ml

Table 7

9.2 Vacuum references and accessories

Labbox reference	Description
REVA-A04-001	Vacuum seal
REVA-A05-001	Evaporating flask clamp
LTXT-007-005	Latex tubing, amber, for 8/9 hose, 5m
RUTT-008-002	Rubber vacuum tubing for 9/10 hose, 2m
VACU-R20-001	Vacuum pump LBX R20 chemically resistant, 18 l/min, -750 mm Hg

Table 8

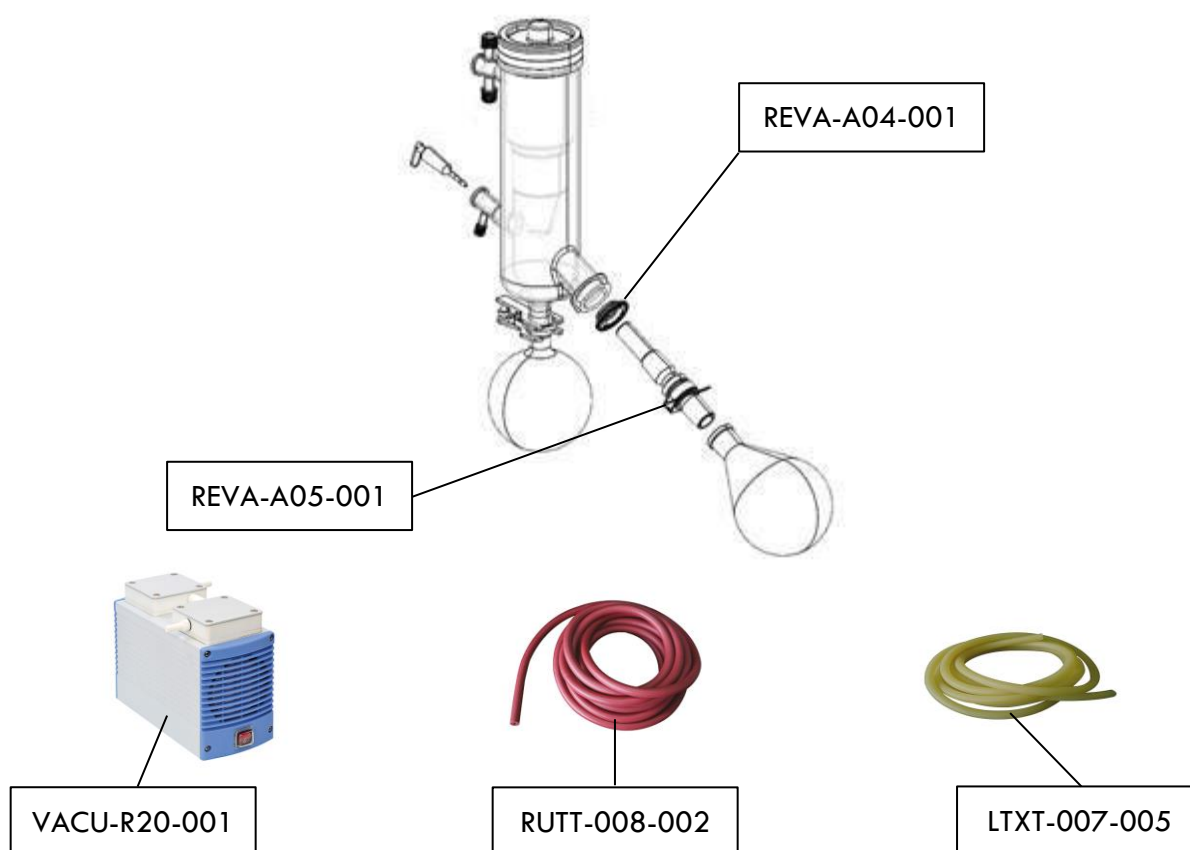



Figure 18

For more information about accessories or laboratory equipment that you need, visit our website www.labbox.com or call +0034 902 99 53 18.

	<p>Attention</p> <ul style="list-style-type: none"> -Electronic devices cannot be cleaned with cleanser -If you require maintenance service, the instrument must be cleaned before shipment to avoid pollution of hazardous substances and also to be sent back in the original packaging. -If the instrument will not be used for a long time, please, switch off and store it in a dry and clean place with a steady room temperature.
---	--

10. Applicable regulations

<p>Manufacture in accordance with the following safety regulations</p>
<p>EN 6110-1 (Safety requirements for electrical equipment for measurement, control and use in laboratories - Part 1 / general requirements) UL 3101-1 (Electrical equipment for laboratory use - Part 1: General requirements) CAN/CSA C22.2 (1010-1) EN 61010-2-10 (Heating)</p>
<p>Manufacture according to the following EMC regulations</p>
<p>EN 61326-1 (Electromagnetic Compatibility)</p>
<p>Associated EU Directives:</p>
<p>EMC Directive: 89/336/EWG Instrument directive: 73/023/EWG</p>

Table 9


Changes or modifications not expressly approved by the party responsible for compliance could void the user's authority to operate the equipment.

Note: This equipment has been tested to comply with the limits for an electrical device of class A with compliance with part 15 of the FCC rules. These limits are designed to provide protection against interference when the equipment operates in a commercial environment. This equipment generate, uses and can radiate radio frequency energy, therefore, if it is not installed and used in accordance with this instruction manual, it may cause interference in radio communications. Using this equipment in residential areas could cause harmful interferences, in this case, the user will have to correct these interferences on their own.

11. Storage and transportation

This chapter introduces you on how to pack away the instrument, how to prepare it for transport, specific storage and transport conditions.

11.1 Storage and transport

	<p>Alert</p> <ul style="list-style-type: none"> -Remove all hazardous substances from the instrument and clean all parts of the equipment thoroughly -Always keep the equipment in a dry and clean place, with good ventilation and free of corrosive gases -Store and transport the equipment in its original packaging
---	--

12. Table of Solvents

Solvent	Formula	Molar mass (g/mol)	Evaporation energy (J/g)	Boiling point at 1013 mbar (°C)	Density (g/cm ³)	Absolute pressure to a boiling point of 40°C (mbar)
Acetone	CH ₃ H ₆ O	58.1	553	56	0.790	556
1-pentanol	CH ₅ H ₁₂ O	88.1	595	37	0.814	11
Benzene	C ₆ H ₆	78.1	548	80	0.877	236
n-butanol	C ₄ H ₁₀ O	74.1	620	118	0.810	25
2-methyl-2-propanol	C ₄ H ₁₀ O	74.1	590	82	0.789	130
Chlorobenzene	C ₆ H ₅ Cl	112.6	377	132	1.106	36
Chloroform	CHCl ₃	119.4	264	62	1.483	474
Cyclohexane	C ₆ H ₁₂	84.0	389	81	0.779	235
Ethyl ether	C ₄ H ₁₀ O	74.0	389	35	0.714	atmospheric
1,2-dichloroethane	C ₂ H ₄ Cl ₂	99.0	335	84	1.235	210
1,2-dichloroethylene (cis)	C ₂ H ₂ Cl ₂	97.0	322	60	1.284	479
1,2-dichloroethylene (trans)	C ₂ H ₂ Cl ₂	97.0	314	48	1.257	751
Diisopropyl ether	C ₂ H ₂ C ₁₂	102.0	318	68	0.724	375
Dioxane	C ₆ H ₁₄ O	88.1	406	101	1.034	107
DMF	C ₄ H ₈ O ₂	73.1	-	153	0.949	11
Acetic acid	C ₃ H ₇ NO	60.0	695	118	1.049	44
Ethanol	C ₂ H ₄ O ₂	46.0	879	79	0.789	175
Ethyl ethanoate	C ₄ H ₈ O ₂	88.1	394	77	0.900	240
Heptane	C ₇ H ₁₆	100.2	373	98	0.684	120
Hexane	C ₆ H ₁₄	86.2	368	69	0.660	335
Isopropyl alcohol	C ₃ H ₈ O	60.1	699	82	0.786	137
3-methyl-1-butanol	C ₅ H ₁₂ O	88.1	595	129	0.809	14
Butanone	C ₄ H ₈ O	72.1	473	80	0.805	243
Methanol	CH ₄ O	32.0	12327	65	0.791	337
Dichloromethane	CH ₂ Cl ₂	84.9	373	40	1.327	atmospheric
Pentane	C ₅ H ₁₂	72.1	381	36	0.626	atmospheric
1-propanol	C ₃ H ₈ O	60.1	787	97	0.804	67
Pentachloroethane	C ₂ HCl ₅	202.3	201	162	1.680	13
1,1,2,2-tetra-chloroethane	C ₂ H ₂ Cl ₄	167.9	247	146	1.595	35
Carbon tetrachloride	CCl ₄	153.8	226	77	1.594	271
1,1,1-trichloroethane	C ₂ H ₃ Cl ₃	133.4	251	74	1.339	300
Tetra-chloro-ethylene	C ₂ Cl ₄	165.8	234	121	1.623	53
THF	C ₄ H ₈ O	72.1	-	67	0.889	357
Toluene	C ₇ H ₈	92.2	427	111	0.867	77
Trichlorethylene	C ₂ HCl ₃	131.3	264	87	1.464	183
Water	H ₂ O	18.0	2261	100	1.000	72
Xylene (mixture)	C ₈ H ₁₀	106.2	389	-	-	25
o-xylene	C ₈ H ₁₀	106.2	-	144	0.880	-
m-xylene	C ₈ H ₁₀	106.2	-	139	0.864	-
p-xylene	C ₈ H ₁₀	106.2	-	138	0.861	-

Table 10

Manual de usuario



EVA180 Evaporador rotativo

Introducción

Los usuarios deben leer este manual cuidadosamente, seguir las instrucciones y los procedimientos, con el fin de estar informados de todas las precauciones antes de usar el equipo.

Servicio

Cuando necesite ayuda, puede contactar con su proveedor o con Labbox a través de: www.labbox.com (formulario de gestión de incidencias)

Por favor proporcione al personal de Atención al Cliente la siguiente información:

- Número de serie del equipo
- Descripción del problema detectado
- Sus datos de contacto

Garantía

Este instrumento dispone de una garantía de 24 meses desde la fecha de factura para defectos de material y fabricación en caso de un uso normal descrito en este manual. La garantía se extiende solamente al comprador original. Esta garantía no se aplica al equipo o a cualquier pieza dañada como consecuencia de una mala instalación, malas conexiones, mal uso, un accidente o condiciones anormales de uso.

Para las reclamaciones bajo garantía, por favor póngase en contacto con su proveedor.

1. Instrucciones de seguridad

	Conecte el equipo a una fuente de alimentación provista de toma de tierra para garantizar la seguridad del instrumento y del experimento; conecte la alimentación cuando el equipo lo requiera
	Se prohíbe el uso de este equipo en experimentos inflamables y explosivos, tóxicos o altamente corrosivos
	Coloque el evaporador rotativo sobre una superficie horizontal, plana y estable, creando un espacio libre de 30 cm por cada lado, permitiéndole trabajar con comodidad. Asegúrese de que la superficie sea adecuada al peso del equipo
	El evaporador rotativo debe ser utilizado por personal cualificado previamente, que conozca el equipo y su manejo mediante el manual de uso
	No coloque el evaporador rotativo en zonas cercanas a fuentes de calor
	Cuando el equipo está en funcionamiento, no toque la superficie calefactora para evitar quemaduras
	Durante su funcionamiento, el material peligroso tal como líquidos inflamables o material patológico, deben estar fuera de esta área
	Lea el manual de instrucciones antes de utilizar el equipo y guárdelo en un lugar donde pueda acceder cualquier persona
	Use los elementos de seguridad apropiados, como la protección para los ojos y guantes de acuerdo con la información proporcionada por el fabricante del reactivo
	Preste especial atención a las salpicaduras y protéjase adecuadamente

-Mantenga las instrucciones de operación del equipo en un lugar accesible para todo el personal que se disponga a utilizar el instrumento.

-Durante el uso del equipo, utilice medidas de protección personal para evitar riesgos de posibles daños cómo:

- Quemaduras por salpicaduras y evaporación de líquidos
- Intoxicación por emisión de gases tóxicos o combustibles
- Cortes o daños físicos debido a la utilización de material frágil como el vidrio

-Cuidado con los peligros causados por:

- Materiales o medios inflamables con una temperatura de ebullición baja
- El llenado excesivo del recipiente
- Recipientes inseguros

-Asegúrese de que el montaje no tiene tensión en las partes de vidrio debido al riesgo de romperse por causas como:

- Peligros mecánicos del exterior
- Excesos de temperatura en el propio equipo

-La temperatura debe ajustarse siempre al menos 25 °C por debajo de la temperatura de inflamación de los materiales utilizados

-No utilice el equipo en atmósferas explosivas, con sustancias peligrosas o debajo del agua

-Compruebe el equipo y los accesorios antes de cada uso y no utilice componentes en mal estado. El funcionamiento seguro del equipo está garantizado solamente con los accesorios descritos en la el capítulo “Lista de embalaje”. Los accesorios deben estar firmemente sujetos al equipo y no pueden desprenderse.

Desconecte siempre la alimentación antes de instalar accesorios

-No cubra las salidas de ventilación del equipo para asegurar un enfriamiento adecuado del equipo

-Adecúe la cantidad y el tipo de disolvente al tamaño del equipo de destilación

-Por favor, sepa que altas concentraciones de gases, de vapor o de materia particular pueden escapar a través del enfriador. Asegúrese evitar este riesgo utilizando, por ejemplo, trampas de agua fría, botellas de lavado de gases o un sistema de extracción efectivo, tales como vitrinas

-El material de vidrio está diseñado para operaciones con un vacío máximo de 10 mbar. Debe de ser retirado antes de sobrecalentarse y, sólo después de haberse enfriado, se podrá volver a utilizar

-Evite la formación de peróxido. Los peróxidos orgánicos se pueden acumular en la destilación y generar residuos de escape que explotan fácilmente cuando se descomponen.

-Nunca caliente el frasco de evaporación en el baño sin accionar antes el movimiento rotativo. De esta manera, evitará posibles pérdidas de su muestra.

-Preste atención al ajuste de temperatura; nunca deje desatendido el equipo durante su funcionamiento y con la función de calefacción encendida.

-No manipule el evaporador cuando el pistón de rotación esté girando. Se recomienda aumentar y/o disminuir gradualmente la velocidad de rotación y reducir la velocidad si se producen situaciones tales como un funcionamiento irregular.

-El equipo sólo se puede desconectar de la toma de corriente tirando de la base del enchufe, no del cable.

-El voltaje indicado en el equipo debe corresponder al de la red eléctrica utilizada.

-Asegúrese de que el cable de alimentación principal no esté en contacto con la superficie calefactora. No cubra el equipo.

-Mantenga el equipo alejado de campos magnéticos elevados.

2. Normas de uso

Este equipo está diseñado especialmente para destilaciones con propósitos educacionales, laboratorios o industrias. Este aparato no es adecuado para uso doméstico o en ambientes que pudieran ser peligrosos para el usuario o el equipo.


Con los accesorios recomendados por el fabricante, este equipo es capaz de realizar las siguientes acciones:

- Rápida destilación de líquidos
- Evaporación de soluciones y suspensiones
- Cristalización, síntesis o limpieza de químicos
- Reciclado de solventes

3. Inspección

3.1 Recepción

Desembale cuidadosamente el instrumento y compruebe que el equipo y/o los accesorios hayan llegado sin daños procedentes del transporte. En caso necesario, póngase en contacto con el proveedor que le suministró el equipo para solicitar ayuda técnica.

	Atención: -Si el equipo está dañado, no debe conectarse a la red eléctrica -Asegúrese de que el cierre de seguridad está abierto antes de encender el dispositivo
---	--

3.2 Lista de embalaje

El paquete incluye los siguientes artículos:

Ítem	Cantidad
Unidad Principal	1
Baño de calefacción	1
Condensador	1
Matraz de destilación (29/32)	1
Matraz colector (35/20)	1
Varilla de apoyo	1
Cable de alimentación	1
Manual de usuario	1

Tabla 1

4. Elementos de control

4.1 Partes y Mandos

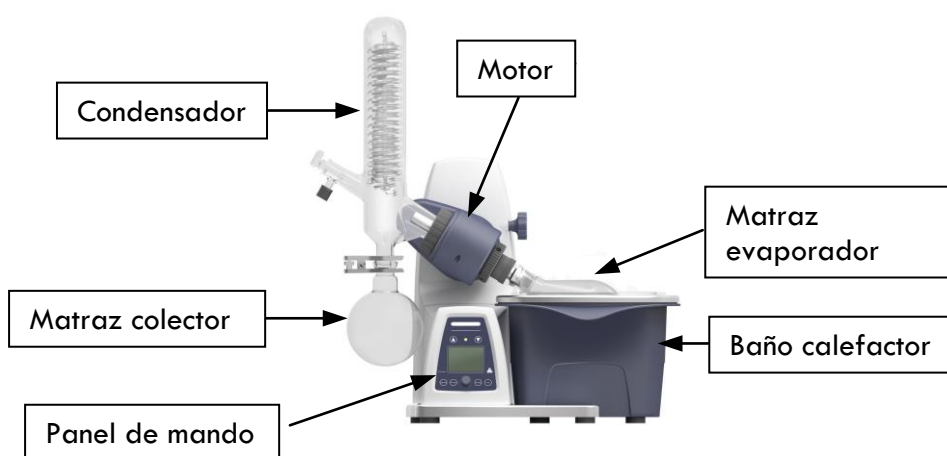


Figura 1

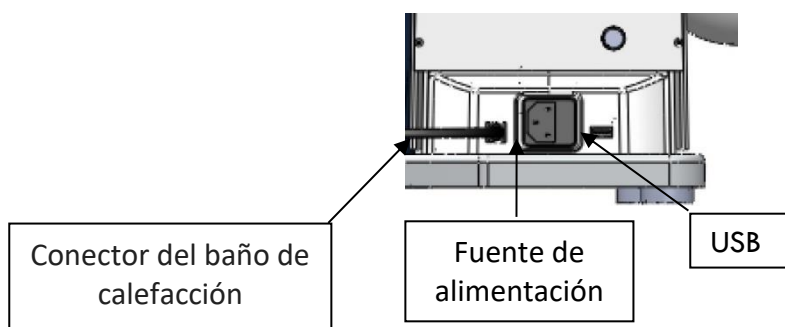


Figura 2

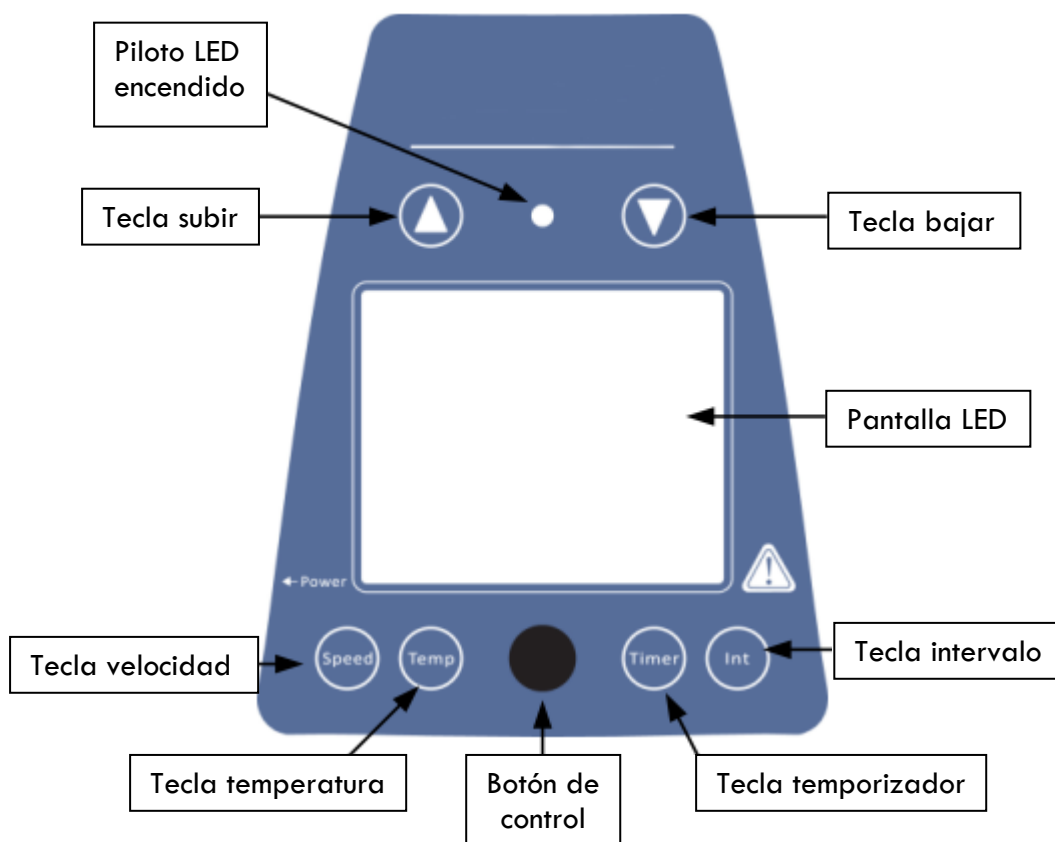


Figura 3

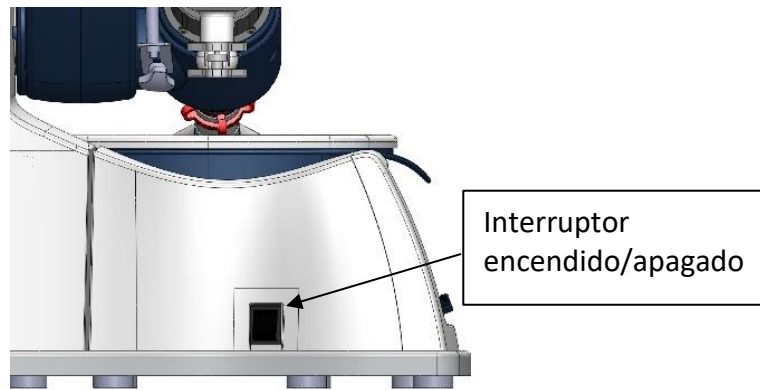


Figura 4

Elementos	Descripciones
Tecla de velocidad Speed	Presione la tecla y luego gire el mando de control para ajustar la velocidad nominal dentro del rango de 20 a 280 rpm
Tecla temperatura Temp	Presione la tecla y luego gire el mando de control para ajustar la temperatura nominal dentro del rango de temperatura ambiente hasta 180°C
Tecla temporizador Timer	Presione la tecla y luego gire el mando de control para ajustar el tiempo nominal dentro del rango de 1 a 999 min.
Tecla intervalo Int	Presione la tecla y luego gire el mando de control para ajustar el intervalo de tiempo de giro en sentido horario/anti-horario dentro del rango de 1 a 999 s
Botón de control	Gire a la derecha para aumentar los valores programados. Gire hacia la izquierda para disminuir los valores programados. Presionar este mando para encender/apagar la unidad
Tecla subir	Presione el botón para subir el elevador. Suelte el botón y el elevador se detiene en esa posición
Tecla bajar	Presione el botón para bajar el elevador. Suelte el botón y el elevador se detiene en esa posición
Pantalla LCD	La pantalla LCD muestra el estado real de trabajo
Piloto LED de encendido	Con el equipo encendido o en funcionamiento, el piloto LED se ilumina.
Interruptor encendido / apagado	Encendido o apagado

Tabla 2

4.2 Pantalla

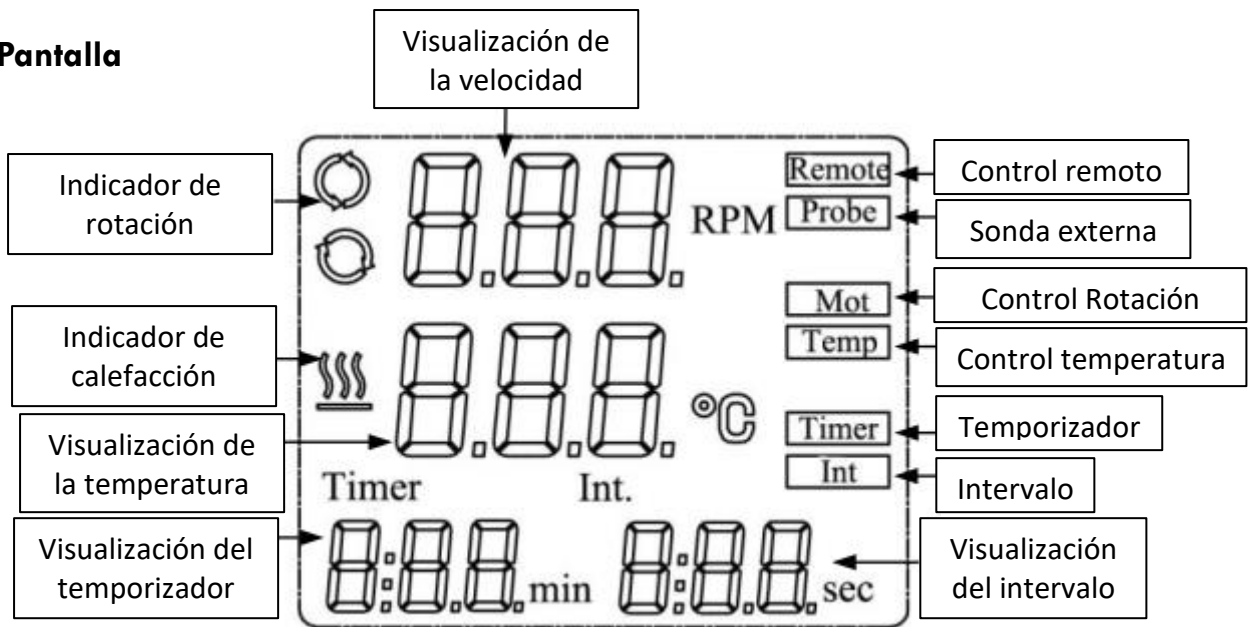


Figura 5

Pantalla	Descripciones
Remote	Se muestra en caso de control Remoto (esta función no está disponible para este modelo)
Probe	Se muestra en caso de utilizar un sensor externo
Mot	Se muestra cuando se enciende la función de rotación
Temp	Se muestra cuando se enciende la función calefacción
Timer	Se muestra cuando se enciende la función temporizador
Int	Se muestra cuando se enciende la función 'int'
Visualización de velocidad	Al ajustar la velocidad, se muestra el valor de consigna parpadeando, deja de parpadear cuando la velocidad real alcanza el valor de consigna
Indicador de rotación	Se muestra cuando la función de rotación está encendida
Visualización de la temperatura	Al ajustar la temperatura, se muestra el valor programado. Cuando se activa la función de calefacción, se visualiza el valor real en la pantalla
Indicador de calefacción	Se muestra cuando se active la función calefacción
Visualización del temporizador	Al ajustar el temporizador, se muestra la hora nominal. Cuando la función del temporizador está activada, se muestra el tiempo restante.
Visualización del intervalo	Se muestra el valor objetivo "Int"

Tabla 3

5. Instalación y operación

Este capítulo describe como se instala el equipo y da instrucciones de una primera puesta a punto.

Nota: Inspeccione el instrumento antes del primer uso y durante su desembalado. Si es necesario, contacte con el proveedor que le suministró el equipo y conserve el embalaje original durante el transporte.

5.1 Instalación

Ubique el instrumento en un lugar estable, con la superficie horizontal y considere las dimensiones máximas del producto. Realice las destilaciones bajo vacío y con el evaporador rotativo debajo de una campana extractora.

5.1.1 Ajuste de la base

Ajuste la base del equipo a su lugar de trabajo girando los pies como se muestra en la figura 6.

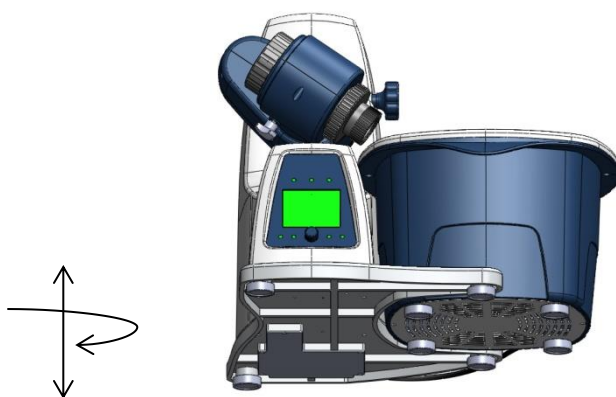


Figura 6

5.1.2 Posición de trabajo y conexiones eléctricas

El equipo lleva incorporado una llave de bloqueo para el transporte, proceda de la siguiente manera para que el evaporador adopte la posición de trabajo:

-Sostenga el elevador con una mano en la misma posición que se le ha proporcionado el equipo. Seguidamente, con la otra mano, desenrosque la llave de bloqueo que se encuentra en la parte trasera del aparato (A).

-Una vez la llave de bloqueo ha sido retirada, suelte el elevador y verá que éste empieza a subir lentamente hacia la posición de trabajo. La distancia que recorre es de 150 mm

-Conecte el equipo a la alimentación energética (B) utilizando el cable de alimentación

-Conecte el baño termostático al equipo (C)

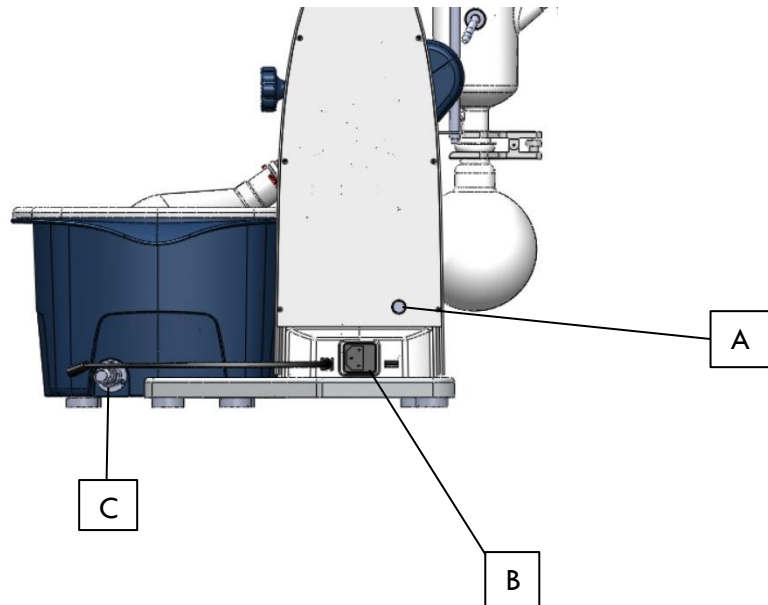


Figura 7

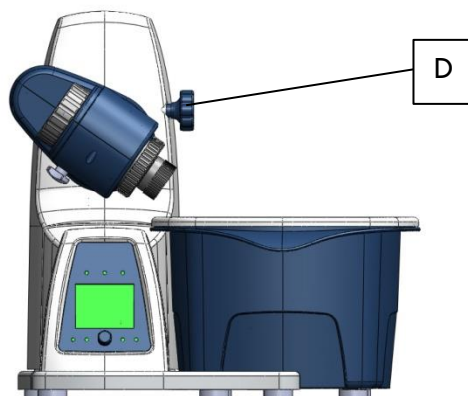


Atención

- Asegúrese de que el voltaje requerido por el equipo coincide con el de la red eléctrica utilizada.
- Conecte el instrumento a una fuente de alimentación provista de toma de tierra.

5.1.3 Ajuste del ángulo de rotación

- Mediante la llave (D), puede ajustar el ángulo de rotación del equipo. Gire la llave en sentido anti-horario para poder modificar el ángulo de rotación
- Ajuste, mediante las manos, un ángulo de aproximadamente unos 30°



- Una vez fijado el ángulo, cierre la llave (D) girándola en sentido horario. De esta manera, sujetamos el cuerpo que sostiene las partes de vidrio.

5.1.4 Pieza paso vapor

Para introducir el tubo evaporador (E), proceda con las instrucciones siguientes:

- Abra el dispositivo de bloqueo (F), desenroscando los 4 tornillos, situado en la unidad principal girando en el sentido contrario a las agujas del reloj
- Introduzca el tubo evaporador hasta que se detenga
- Cierre el dispositivo de bloqueo girando en el sentido de las agujas del reloj e introduciendo, de nuevo, los 4 tornillos para un mejor sellado
- La tuerca de tornillo de plástico (G) ayuda a crear un cierre hermético sin realizar tensión en la parte de contacto
- Para instalar la tuerca, sólo es necesario que la introduzca por el tubo de evaporación y enrosque, en sentido horario

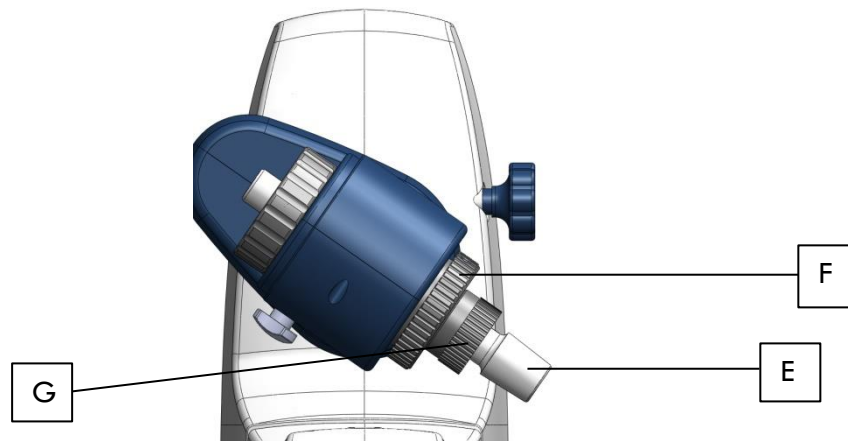


Figura 9

5.1.5 Junta de condensador

La junta de condensador tiene la función de realizar un sellado hermético y garantizar el vacío del equipo. Se sitúa en la parte de contacto con el condensador. Para instalarla, observe las siguientes imágenes:



Figura 10

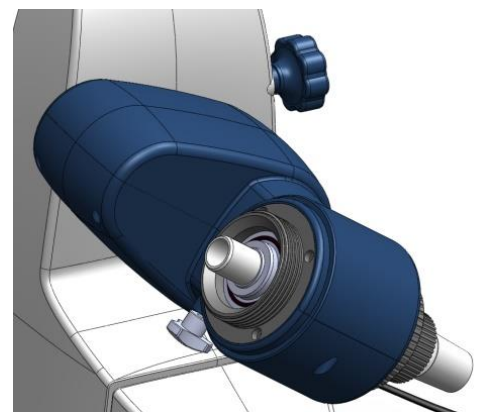


Figura 11

Nota: Los capítulos 5.1.2 y 5.1.3 no requieren instalación debido a que ya vienen situados de fábrica. Solamente es necesario realizar esta instalación cuando quiere realizar un cambio de accesorios en el equipo o un mantenimiento. Para ver la lista de accesorios que proporcionamos véase el “capítulo 9: Accesorios y piezas de repuesto”

5.1.6 Condensador

- Introduzca, primero la tuerca (H) y, seguidamente el muelle de bloqueo (I), en el condensador
- Una vez tenga el montaje hecho, colóquelo e instálelo en el cuerpo principal girando la tuerca (H) en sentido horario
- Para realizar un mejor sellado, encienda el equipo y hágalo rotar a 200 rpm durante 2 minutos

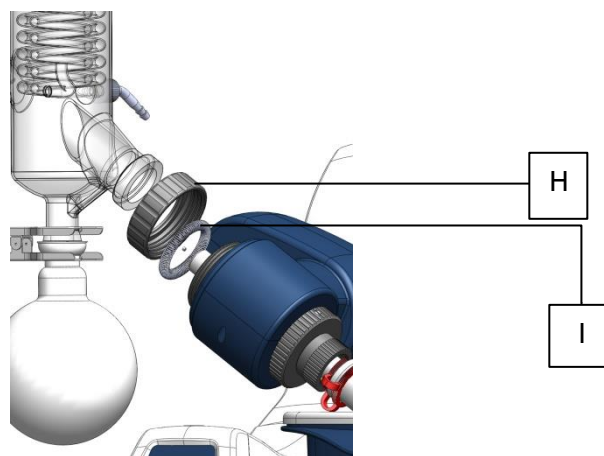


Figura 12

5.1.7 Varilla de apoyo

La varilla de apoyo contiene una cinta que sujeta el montaje de vidrio. Este accesorio es opcional y tiene el único propósito de proveer una estabilidad adicional al equipo. Especialmente, nosotros lo recomendamos para montajes de vidrio que contienen un condensador.

-Para instalar la varilla de apoyo (J), es necesario utilizar la llave de bloqueo (A) retirada en el capítulo **“5.1.2 Posición de trabajo y conexiones eléctricas”**

-Sitúe la varilla de apoyo entre el refrigerador y el cuerpo principal; Utilice la llave de bloqueo (A) y enrosque en la parte inferior del motor dónde encontrará una ranura. Una vez fijada la posición, utilice la cinta que se le proporciona con todo el equipo para rodear el condensador y juntarlo con el dispositivo de bloqueo

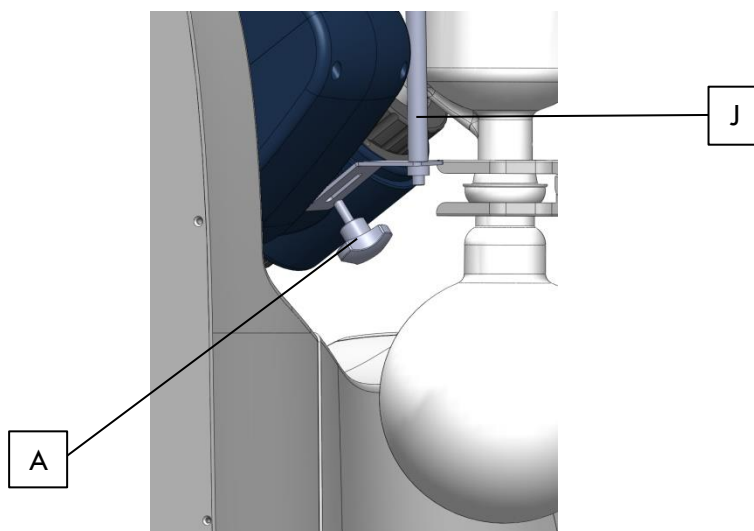


Figura 13



Atención

La varilla de apoyo no está diseñada para aguantar el peso del montaje de vidrio por sí sola.

5.1.8 Conexiones de los tubos

En la imagen siguiente se le muestra un esquema de la conexión de los tubos del equipo:

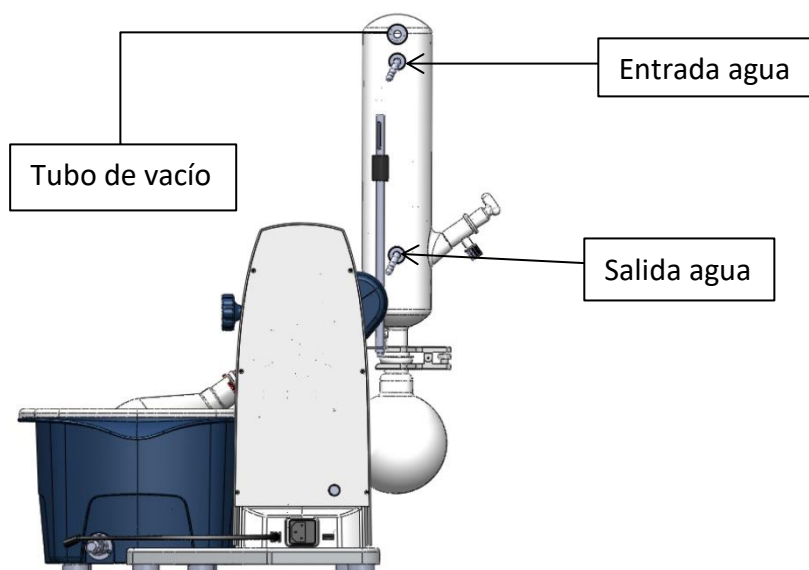


Figura 14

5.1.8.1 Tubos de conexión con el agua

Cuando conecte los tubos para el agua del condensador, tenga en cuentas los siguientes puntos:

- Utilice los conectores para tubos de color rojo que les proporcionamos con el equipo
- Los tubos utilizados han de tener un diámetro igual al conector, aproximadamente de 8mm, véase la sección **“9: Accesorios y piezas de repuesto”** para ver nuestras referencias
- Por razones de seguridad, intente asegurar los tubos con abrazaderas, le recomendamos que mire la sección **“9: Accesorios y piezas de repuesto”**
- Compruebe los tubos de vez en cuando y replácelos cuando estén frágiles o quebrados

5.1.8.2 Tubos de vacío

Cuando conecte los tubos para realizar el vacío en el equipo, tenga en cuenta las siguientes indicaciones:

- Utilice los conectores para tubos de color rojo que les proporcionamos con el equipo
- Los tubos utilizados han de tener un diámetro igual al conector, aproximadamente de 8 mm, véase la sección **“9: Accesorios y piezas de repuesto”** para ver nuestras referencias
- Mantenga los tubos de vacío lo más cortos posibles
- La tubería de vacío no necesita estar asegurada
- Compruebe los tubos de vez en cuando y replácelos cuando estén frágiles o quebrados.

5.2 Manejo

Este capítulo explica cómo operar con los diferentes elementos y los posibles modos de operación del equipo adecuadamente y con seguridad.



Advertencia

Riesgo de lesión

Nunca opere este instrumento si el material de vidrio está dañado

5.2.1 Ajuste de altura del motor

Para una posición de trabajo más ergonómica, la altura del motor puede adaptarse a sus necesidades. Si desea modificar la altura, proceda de la siguiente manera:

- Una vez encendido el equipo, pulse el botón (arriba) o (abajo) y, automáticamente la altura variará
- Si desea detener el ajuste de altura, sólo es necesario que deje de apretar el botón y el equipo se parará automáticamente

5.2.2 Ajuste de la temperatura del baño

Tan pronto como encienda el equipo con el botón de encendido/apagado, el baño termostático empezará a calentarse si la temperatura real está por debajo de la temperatura ajustada.

Para ajustar una temperatura, pulse el botón de temperatura "temp" y, girando el mando de control seleccione la temperatura que usted desee. Para confirmar la acción, apriete el mando de control.



Advertencia

El baño termostático puede llegar a temperaturas superiores a los 100°C. para evitar quemaduras, tenga en cuenta:

- Retirar el frasco que esté en contacto con el baño porque la salpicadura puede resultar en quemadura.
- Asegúrese de que el líquido no rebose el baño cuando el frasco esté sumergido.

5.2.3 Ajuste del ángulo de rotación

El ángulo de inmersión dentro del baño termostático es, por defecto, de 30°. Si necesita operar con otro ángulo, por ejemplo, cuando opera con un frasco de diferente dimensión, puede ajustarlo a sus necesidades

- Apague el instrumento
- Con una mano aguante el montaje de vidrio, es decir, el condensador junto al matraz recolector; con la otra mano, gire y abra la llave que se sitúa en el motor (véase capítulo 5.1.3)
- Una vez abierta la llave, ajuste el ángulo. Una vez ajustado el ángulo, cierre la llave para fijar la posición de rotación



Advertencia

Riesgo de lesiones

No hacer funcionar el equipo si el aparataje de vidrio está roto

Atención


Riesgo de daño al instrumento

No ajuste el ángulo de rotación mientras el equipo esté operando

5.2.4 Ajuste de velocidad

Para ajustar la velocidad de rotación del equipo:

-Pulse el botón de velocidad “speed” y, girando el mando de control, seleccione la velocidad que usted desee. Pulse el mando de control para confirmar la acción

	Atención Riesgo de daño al instrumento Adecúe la velocidad de rotación a las dimensiones del frasco y a las propiedades del solvente
---	--

5.2.5 Ajuste de temporizador

Si desea trabajar durante periodos de tiempo concretos, proceda de la siguiente manera:

-Pulse el botón “time” y, seguidamente, con ayuda del mando de control, elija el periodo de tiempo con el que desea trabajar (min).

-Para confirmar y memorizar la acción, pulse el mando de control.

-Si requiere apagar esta función, ajuste el valor del tiempo a “0” y pulse el mando de control para confirmar.

5.2.6 Condiciones de destilado

Para conseguir unas condiciones de destilado óptimo, la energía de destilación que es proporcionada por el baño termostático, debe de ser eliminada por el condensador.

Para asegurar este hecho, opere el instrumento acorde con la siguiente regla estándar:

-Agua de refrigeración: máx. 20°C

-Vapor: 40°C

-Baño termostático: 60°C

¿Cómo se consiguen estas condiciones?

-Ajuste el baño termostático a 60°C

-Ajuste la temperatura de refrigeración como máximo a 20°C

-Con un medidor de caudal, conceda una velocidad de, aproximadamente, 40-50 L/h de agua fría por el condensador

-Defina el vacío de tal manera que el punto de ebullición del solvente sea de 40°C.

La presión correspondiente puede encontrarla en la tabla de disolventes en el capítulo 12

Ventajas asociadas a una temperatura del baño de 60°C:

-El frasco de evaporación puede ser retirado sin riesgo a quemaduras

-El índice de evaporación del agua en el baño es bajo (baja pérdida de energía)

-La energía del baño termostático es usada con un buen grado de eficiencia

Esta regla también puede aplicarse a bajas temperaturas de baño, por ejemplo:

-Agua de refrigeración: 0°C

-Vapor: 20°C

-Baño termostático: 40°C

5.2.7 Destilado

Para empezar a operar con el instrumento, revise que:

-Todas las conexiones eléctricas estén conectadas

-Todo el sellado esté instalado correctamente

-Todas las juntas o partes de contacto estén engrasadas

Para empezar a operar el instrumento, realice los siguientes pasos:

-Encienda el equipo

-Permita que el agua fría fluya por el condensador a una temperatura máxima de 20°C y con un caudal de 40-50 l/h

-Ajuste la temperatura del baño termostático a el valor deseado tal y como se describe arriba y, espere a que el baño alcance la temperatura programada

-Llene el frasco evaporador con la solución a destilar y, asegúrese de que no exceda un peso máximo de 3 kg

-Monte el frasco ayudándose de pinzas y grasa o vaselina

Nota: *Escoja la presión de forma que el punto de ebullición del solvente sea de 40°C (véase la tabla de solventes, en el capítulo 12)*

-Ajuste la velocidad de rotación

Si las operaciones descritas anteriormente se desarrollan con normalidad, el equipo estará preparado para ser utilizado. En caso contrario, el evaporador rotativo puede haber sido dañado durante el transporte. En ese caso por favor contacte para soporte técnico.

6. Averías

Este capítulo ayuda a resumir las acciones a realizar tras problemas menores de funcionamiento en el equipo.

Se listan todos los posibles problemas y también, sus posibles soluciones.

6.1 Mal funcionamiento general y sus soluciones

El equipo no se enciende:

-Compruebe si la línea eléctrica está desconectada

-Compruebe que el cable esté bien conectado tanto al equipo como a la red eléctrica

El baño termostático no calienta:

-Compruebe que esté bien conectado al cuerpo principal

-Reemplace el fusible. Si el mal funcionamiento vuelve a ocurrir, contacte con el proveedor que le suministró el equipo

El elevador no funciona correctamente:

-Contacte directamente con el proveedor que le suministró el equipo

El frasco no rota adecuadamente:

-Ajuste una velocidad de rotación de 0 rpm y, aumente la velocidad de rotación lentamente hasta que el motor de rotación haga girar el frasco

-Reinicie el equipo

El sistema está goteando o está derramando líquido:

-Engrase las juntas en los puntos de contacto entre materiales

-Compruebe la conexión de los tubos y ajústelos correctamente

-La tubería está rota. En este caso reemplace los tubos

-El sistema de sellado está roto o no ha sido instalado correctamente. Compruebe el sistema de sellado explicado en los capítulos 5.1.4 y 5.1.5

-En caso de que no arregle la avería, reemplace el sello de vacío o junta de condensador

6.2 Mal funcionamiento del sistema de vacío y sus soluciones

No consigue realizar el vacío en todo el sistema:

-Compruebe que todas las juntas y conexiones están engrasadas y bien encajadas

-Si está utilizando una trompa de vacío, abra al máximo el grifo dónde está instalada la trompa de vacío

La destilación desaparece gradualmente:

-Aumente el vacío manualmente hasta que la evaporación se reanude


-Si persiste el problema, pare el equipo y la bomba de vacío, abra la válvula de vacío y compruebe posibles pérdidas de vacío en juntas y conexiones y que se encuentren engrasadas y perfectamente encajadas

La destilación se para por completo:

- Pare el equipo y la bomba de vacío, abra la válvula de vacío y compruebe posibles pérdidas de vacío en juntas y conexiones y que se encuentren engrasadas y perfectamente encajadas


7. Mantenimiento y limpieza

Este capítulo incluye las instrucciones de todos los procesos de mantenimiento con tal de mantener el instrumento en buenas condiciones de trabajo.

	<p>Advertencia <i>Peligro eléctrico</i> Realice el trabajo de mantenimiento con el equipo desconectado de la red eléctrica y aparte las fuentes de vapor inflamable</p>
--	---

7.1 Alojamiento del equipo

Compruebe el espacio dónde vaya a situar el equipo por defecto (controles, plagas) y límpielo regularmente con un paño húmedo.


	<p>Atención Nunca usa solventes orgánicos como material de limpieza debido a que éstos pueden dañar el instrumento</p>
---	---

7.2 Conexión de los tubos

Examine visualmente la conexión de la tubería con regularidad. Cuando los tubos se vean rotos o quebrados, reemplácelos por unos nuevos.

Vaya al capítulo **“9: de accesorios y piezas de repuesto”** para ver la lista de artículos que podemos proporcionarle.

7.3 Sistema de sellado

	<p>Atención Cuando retire y reinstale las juntas de vacío, asegúrese de no dañarlas durante la manipulación. Nunca toque las juntas de sellado con un objeto afilado debido a que pueden llegar a dañarse.</p>
---	---

7.3.1 Reemplazamiento de las juntas

Las juntas están sujetas a mucha tensión y, generalmente, es una de las partes que sufren más de todo el equipo. Compruebe su estado regularmente y, si es necesario, reemplácelas. Véase el capítulo 7.2., para detectar posibles averías y el capítulo 5.5., para instalar el sistema de juntas. Póngase en contacto con el distribuidor que le suministró el equipo para más información.

7.4 Baño termostático

La superficie interior del baño termostático deberá limpiarse cuando:

- El agua que se usa en el baño está calcificada o contaminada.
- Si usa aceite en lugar de agua, debe lavar la superficie interna del baño cuando el aceite varíe de aspecto (color, viscosidad...)

Para este propósito, retire el baño termostático y vacíelo en un lugar seguro.

7.5 Componentes de vidrio

Para prolongar la vida de los componentes de vidrio, considere las siguientes instrucciones: Enjuague los componentes de vidrio con agua y un agente de limpieza.

Nota: Aconsejamos lavar todas las partes de vidrio manualmente.

Nota: utilice productos de limpieza recomendados en las siguientes situaciones:

Colorantes	Alcohol isopropílico
Materiales de construcción	Agua con tensioactivos/ Alcohol isopropílico
Productos cosméticos	Agua con tensioactivos/ Alcohol isopropílico
Productos alimenticios	Agua con tensioactivos
Combustibles	Agua con tensioactivos

Tabla 4

8. Características técnicas

Ítems	Especificaciones
Voltaje [VAC]	100-240
Frecuencia [Hz]	50/60
Potencia [W]	1400
Motor	Motor sin escobillas con rotor externo
Rango de velocidad [rpm]	20-280
Pantalla	LCD
Dirección reversible de rotación	Sí
Rango de Temperatura [°C]	RT-180
Precisión del termostato [°C]	±1
Salida de calor [W]	1300
Elevador	Motor
Recorrido elevador [mm]	150
Temporizador [min]	1-999
Dimensiones exteriores [D x W x H, mm]	465 x 457 x 583
Peso [Kg]	15
Temperatura Ambiente [°C]	5-40
Humedad relativa	80%
Clase de Protección DINEN60529	IP20
USB	Sí

Tabla 5

9. Accesorios y recambios

Este capítulo incluye los accesorios, artículos de sellado y el material de vidrio que se les puede proporcionar.

Utiliza únicamente los accesorios de LABBOX para garantizar el funcionamiento del equipo y asegurar un buen funcionamiento del sistema.

9.1 Montaje de vidrio

Referencia Labbox	Descripción
REVA-A01-001	Juego de vidrio vertical, incluye condensador, matraz de destilación (269/32) y matraz colector (35/20)
REVA-A02-001	Matraz colector (35/20), capacidad 1000ml
REVA-A03-001	Pieza paso vapor

Tabla 6

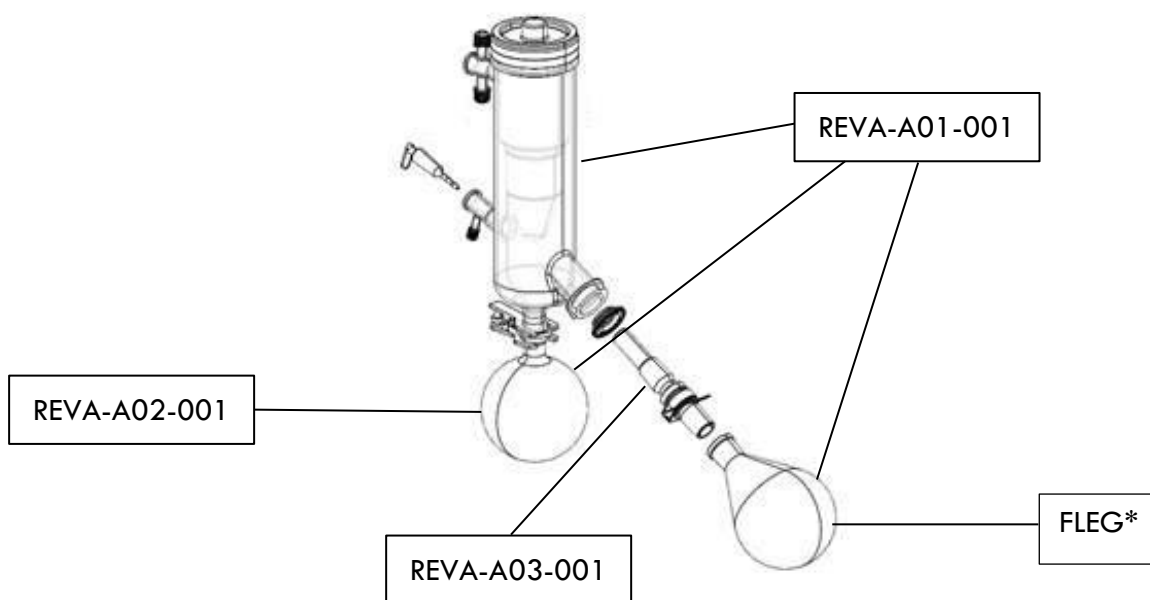


Figura 15

*

Matraz de evaporación	Capacidad
FLEG-051-001	50 ml
FLEG-101-001	100 ml
FLEG-250-001	250 ml
FLEG-500-001	500 ml
FLEG-1K0-001	1000 ml
FLEG-2K0-001	2000 ml

Tabla 7

9.2 Piezas de vacío y accesorios

Referencia Labbox	Descripción
REVA-A04-001	Junta de vacío
REVA-A05-001	Pieza bloqueo de la botella de evaporación
LTXT-007-005	Tubería de látex, color ámbar, 7 x 10 mm, 5m
RUTT-008-002	Tubería de goma para vacío, 8 x 16 mm, 2m
VACU-R20-001	Bomba de Vacío LBX R20 químicamente resistente, 18 L/min, -750mmHg

Tabla 8

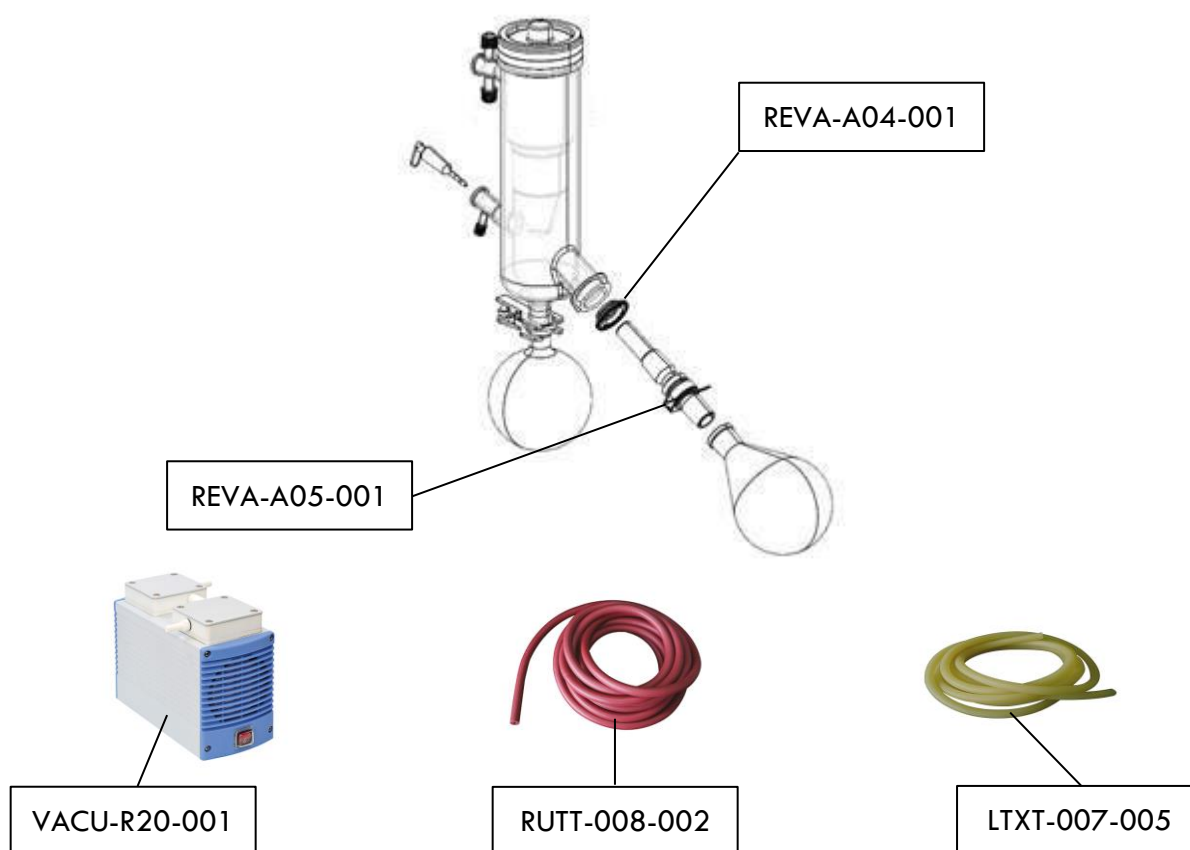


Figura 16

Para más información acerca de accesorios o material de laboratorio que usted necesite, visite nuestra página web www.labbox.com o llame al +0034 902 99 53 18.

10. Normativas aplicables

Fabricación de acuerdo con las siguientes normas de seguridad
EN 6110-1 (Requerimientos de seguridad para los equipos eléctricos de medida, control y uso en laboratorios. Parte 1 / requisitos generales)
UL 3101-1 (Equipos eléctricos para uso en laboratorio; Parte 1: Requisitos generales)
CAN/CSA C22.2 (1010-1)
EN61010-2-10 (Calefacción)
Fabricación de acuerdo con la siguiente normativa EMC
EN 61326-1 (Compatibilidad electromagnética)
Directivas UE Asociadas:
Directiva EMC: 89/336/EWG
Directiva del instrumento: 73/023/EWG

Tabla 9


Los cambios o modificaciones no aprobados expresamente por la parte responsable del cumplimiento pueden anular la autoridad del usuario para operar con el equipo.


Nota: Este equipo ha sido probado para cumplir con los límites para un dispositivo eléctrico de clase A con el cumplimiento de la parte 15 de las reglas FCC. Estos límites son diseñados para proporcionar una protección contra las interferencias cuando el equipo opera en un ambiente comercial. Este equipo genera, utiliza y puede irradiar energía de radio frecuencia, por lo tanto, si no es instalado y usado acorde a éste manual de instrucciones, puede causar interferencias en las radio comunicaciones. Usar este equipo en zonas residenciales puede causar interferencias dañinas, en éste caso, el usuario tendrá que corregir estas interferencias por su propia cuenta.

11. Almacenamiento y transporte

Este capítulo le indica cómo almacenar el instrumento, cómo empaquetarlo para el transporte y cuáles son las condiciones de almacenamiento y transporte específicas.

Almacenamiento y transporte

	<p>Alerta <i>Peligro Biológico</i></p> <p>Elimine todas las sustancias peligrosas del instrumento y limpie todas las partes del equipo a fondo.</p> <p>Mantenga siempre el equipo en un lugar seco y limpio, con buena ventilación y libre de gases corrosivos.</p> <p>Durante su transporte, evite que el equipo se moje y que sufra golpes.</p> <p>Almacene y transporte el equipo en su embalaje original.</p>
---	--

	<p>Alerta <i>Peligro eléctrico</i></p> <p>Retire, siempre, el conector del enchufe para evitar tener cables con energía que nos puedan electrocutar.</p>
---	---

Disposición

Para disponer el instrumento en una atmosfera respetuosa con el medio ambiente, en el capítulo 3 se le entrega una lista de todo el material necesario. La lista ayuda a separar y reciclar correctamente estos componentes. Por favor, siga las leyes locales y regionales.

12. Tabla de Disolventes

Disolvente	Fórmula	Masa molar (g/mol)	Energía de evaporación (J/g)	Punto de ebullición a 1013 mbar (°C)	Densidad (g/cm ³)	Presión absoluta para un punto de ebullición a 40°C (mbar)
Acetona	CH ₃ H ₆ O	58.1	553	56	0.790	556
1-pentanol	CH ₅ H ₁₂ O	88.1	595	37	0.814	11
Benceno	C ₆ H ₆	78.1	548	80	0.877	236
n-butanol	C ₄ H ₁₀ O	74.1	620	118	0.810	25
2-metil-2-propanol	C ₄ H ₁₀ O	74.1	590	82	0.789	130
Clorobenceno	C ₆ H ₅ Cl	112.6	377	132	1.106	36
Cloroformo	CHCl ₃	119.4	264	62	1.483	474
Ciclohexano	C ₆ H ₁₂	84.0	389	81	0.779	235
Éter etílico	C ₄ H ₁₀ O	74.0	389	35	0.714	atmosférico
1,2-dicloroetano	C ₂ H ₄ Cl ₂	99.0	335	84	1.235	210
1,2-dicloroetileno (cis)	C ₂ H ₂ Cl ₂	97.0	322	60	1.284	479
1,2-dicloroetileno (trans)	C ₂ H ₂ Cl ₂	97.0	314	48	1.257	751
Diisopropil éter	C ₂ H ₂ C ₁₂	102.0	318	68	0.724	375
Dioxano	C ₆ H ₁₄ O	88.1	406	101	1.034	107
DMF	C ₄ H ₈ O ₂	73.1	-	153	0.949	11
Ácido acético	C ₃ H ₇ NO	60.0	695	118	1.049	44
Etanol	C ₂ H ₄ O ₂	46.0	879	79	0.789	175
Etanoato de etilo	C ₄ H ₈ O ₂	88.1	394	77	0.900	240
Heptano	C ₇ H ₁₆	100.2	373	98	0.684	120
Hexano	C ₆ H ₁₄	86.2	368	69	0.660	335
Alcohol isopropílico	C ₃ H ₈ O	60.1	699	82	0.786	137
3-metil-1-butanol	C ₅ H ₁₂ O	88.1	595	129	0.809	14
Butanona	C ₄ H ₈ O	72.1	473	80	0.805	243
Metanol	CH ₄ O	32.0	12327	65	0.791	337
Diclorometano	CH ₂ Cl ₂	84.9	373	40	1.327	atmosférico
Pentano	C ₅ H ₁₂	72.1	381	36	0.626	atmosférico
1-propanol	C ₃ H ₈ O	60.1	787	97	0.804	67
Pentacloroetano	C ₂ HCl ₅	202.3	201	162	1.680	13
1,1,2,2-tetra-cloroetano	C ₂ H ₂ Cl ₄	167.9	247	146	1.595	35
Tetracloruro de carbono	CCl ₄	153.8	226	77	1.594	271
1,1,1-tricloroetano	C ₂ H ₃ Cl ₃	133.4	251	74	1.339	300
Tetra-cloro-etileno	C ₂ Cl ₄	165.8	234	121	1.623	53
THF	C ₄ H ₈ O	72.1	-	67	0.889	357
Tolueno	C ₇ H ₈	92.2	427	111	0.867	77
Tricloroetileno	C ₂ HCl ₃	131.3	264	87	1.464	183
Agua	H ₂ O	18.0	2261	100	1.000	72
Xileno (mezcla)	C ₈ H ₁₀	106.2	389	-	-	25
o-xileno	C ₈ H ₁₀	106.2	-	144	0.880	-
m-xileno	C ₈ H ₁₀	106.2	-	139	0.864	-
p-xileno	C ₈ H ₁₀	106.2	-	138	0.861	-

Tabla 10

Manuel d'utilisation



Évaporateur rotatif EVA180

Introduction

Les utilisateurs doivent lire attentivement ce manuel, suivre les instructions et les procédures, afin d'être informés de toutes les précautions à prendre avant d'utiliser l'appareil.

Service

Si vous avez besoin d'aide, vous pouvez contacter votre distributeur ou Labbox via : www.labbox.com (formulaire de gestion des incidents)

Veillez fournir les informations suivantes au personnel du service clientèle :







- Numéro de série de l'équipement
- Description du problème détecté
- Vos coordonnées de contact

Garantie

Cet instrument est garanti pendant 24 mois à compter de la date de facturation contre tout défaut de matériau et de fabrication dans le cadre d'une utilisation normale telle que décrite dans ce manuel. La garantie ne s'applique qu'à l'acheteur initial. Cette garantie ne s'applique pas aux appareils ou aux pièces endommagés à la suite d'une installation incorrecte, de mauvais branchements, d'une mauvaise utilisation, d'un accident ou de conditions d'utilisation anormales.

Pour les réclamations de garantie, veuillez contacter votre fournisseur.

1. Instructions de sécurité

	Connectez l'appareil à une alimentation électrique mise à la terre afin de garantir la sécurité de l'instrument et de l'expérience ; mettez l'alimentation électrique sous tension lorsque l'appareil le nécessite.
	L'utilisation de cet appareil dans des expériences inflammables, explosives, toxiques ou hautement corrosives est interdite.
	Placez l'évaporateur rotatif sur une surface horizontale, plate et stable, en créant un espace de 30 cm de chaque côté. Assurez-vous que la surface est adaptée au poids de l'appareil.
	L'évaporateur rotatif doit être utilisé par un personnel qualifié, familiarisé avec l'appareil et son fonctionnement, comme décrit dans le mode d'emploi.
	Ne placez pas l'évaporateur rotatif à proximité des sources de chaleur.
	Lorsque l'appareil est en fonctionnement, ne touchez pas la surface chauffante pour éviter les brûlures.
	Pendant le fonctionnement, les matières dangereuses telles que les liquides inflammables ou le matériel pathologique doit être tenu à l'écart de cette zone.
	Lisez le manuel d'instructions avant d'utiliser l'appareil et conservez-le dans un endroit accessible à tous.
	Portez les équipements de sécurité appropriés, tels que des lunettes de protection et des gants, conformément aux informations fournies par le fabricant du réactif.
	Faites particulièrement attention aux éclaboussures et protégez-vous de manière adéquate.

- Conservez le mode d'emploi de l'équipement dans un endroit accessible à tout le personnel qui utilisera l'instrument.

- Pendant l'utilisation de l'équipement, portez un équipement de protection individuelle pour éviter tout risque de blessure :

- Brûlures par éclaboussures et évaporation de liquides
- Émissions de gaz toxiques ou combustibles
- Coupures ou blessures physiques dus à une utilisation de matériaux fragiles tels que le verre

- Attention aux dangers causés par les éléments suivants :

- Matières inflammables ou milieux à faible température d'ébullition
- Remplissage excessif du récipient
- Conteneurs non sécurisés

- Veillez à ce que le montage ne présente aucune contrainte sur les parties en verre en raison du risque de rupture dû à :

- Risques mécaniques provenant de l'extérieur
- Températures excessives à l'intérieur de l'appareil lui-même.

- La température doit toujours être réglée au moins 25 °C en dessous de la température d'inflammation des matériaux utilisés.

- N'utilisez jamais l'appareil dans des atmosphères explosives, ni avec des matières dangereuses ou sous l'eau.

- Vérifiez l'appareil et les accessoires avant chaque utilisation et n'utilisez pas de composants endommagés. Le fonctionnement sûr de l'appareil n'est assuré qu'avec les accessoires décrits dans le chapitre « Liste de colisage ». Les accessoires doivent être solidement fixés à l'appareil et ne doivent pas se détacher. Coupez toujours l'alimentation avant d'installer des accessoires.

- Ne couvrez pas les événements de l'appareil afin d'assurer son bon refroidissement.

- Faites correspondre la quantité et le type de solvant à la taille de l'appareil de distillation.

- Sachez que de fortes concentrations de gaz, de vapeur ou de particules peuvent s'échapper par le refroidisseur. Veillez à éviter ce risque en utilisant, par exemple, des siphons d'eau froide, des bouteilles de gaz ou un système d'extraction efficace, comme des hottes d'extraction.

- La verrerie est conçue pour fonctionner avec un vide maximal de 10 mbar. Il doit être retiré avant qu'il ne surchauffe et ne peut être réutilisé qu'après avoir refroidi

- Éviter la formation de peroxyde. Les peroxydes organiques peuvent s'accumuler lors de la distillation et générer des résidus d'échappement qui explosent facilement lors de leur décomposition.

- Ne jamais chauffer le ballon d'évaporation dans le bain sans avoir préalablement activé le mouvement rotatif. De cette façon, vous éviterez une éventuelle perte de votre échantillon.

- Faites attention au réglage de la température ; ne laissez jamais l'appareil sans surveillance pendant son fonctionnement et lorsque la fonction de chauffage est activée.

- Ne manipulez pas l'évaporateur lorsque le piston de rotation tourne. Il est recommandé d'augmenter et/ou de diminuer progressivement la vitesse de rotation et de réduire la vitesse dans certaines situations, comme un fonctionnement irrégulier.

- L'appareil ne doit être débranché du secteur qu'en tirant sur la base de la prise, jamais sur le câble.

- La tension indiquée sur l'appareil doit correspondre à la tension du réseau.

- Veillez à ce que le câble d'alimentation principal ne soit pas en contact avec la surface chauffante. Ne couvrez jamais l'équipement.

- Maintenez l'appareil à l'écart des champs électromagnétiques élevés.

2. Règles d'utilisation

Cet appareil est spécialement conçu pour la distillation à des fins éducatives, de recherche ou industrielles. Cet appareil n'est pas adapté à une utilisation domestique ou à des environnements qui peuvent être dangereux pour l'utilisateur ou l'appareil.


Doté des accessoires recommandés par le fabricant, cet appareil est capable d'effectuer les actions suivantes :

- Distillation rapide des liquides
- Évaporation des solutions et des suspensions
- Cristallisation, synthèse ou nettoyage de produits chimiques
- Recyclage des solvants

3. Inspection

3.1 Réception

Déballez soigneusement l'instrument et vérifiez que l'appareil et/ou les accessoires sont reçus sans dommage apparent dus au transport. Si nécessaire, contactez le fournisseur de l'appareil pour obtenir une assistance technique.

	Attention : <ul style="list-style-type: none">- Si l'appareil est endommagé, il ne doit pas être connecté au réseau- Assurez-vous que le verrou de sécurité est ouvert avant d'allumer le dispositif
---	--

3.2 Liste de colisage

Le paquet comprend les éléments suivants :

Élément	Quantité
Unité principale	1
Bain chauffant	1
Condensateur	1
Ballon à distillation (29/32)	1
Ballon collecteur (35/20)	1
Tige de support	1
Câble d'alimentation	1
Manuel d'utilisation	1

Tableau 1

4. Éléments de contrôle

4.1 Pièces et commandes

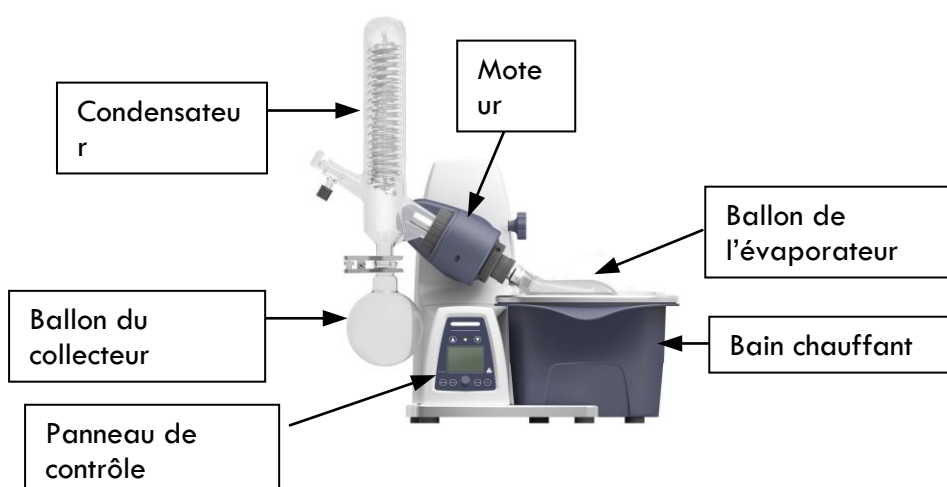


Figure 1

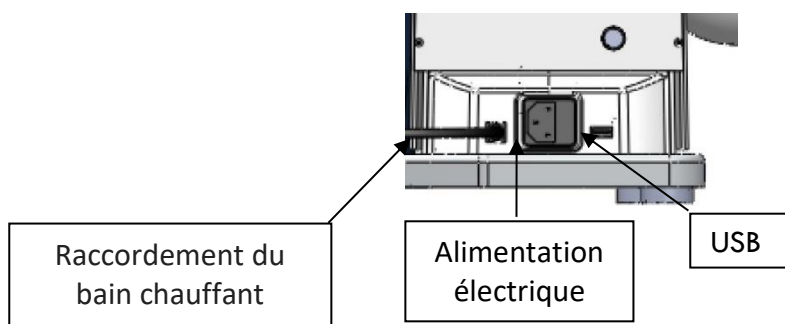


Figure 2

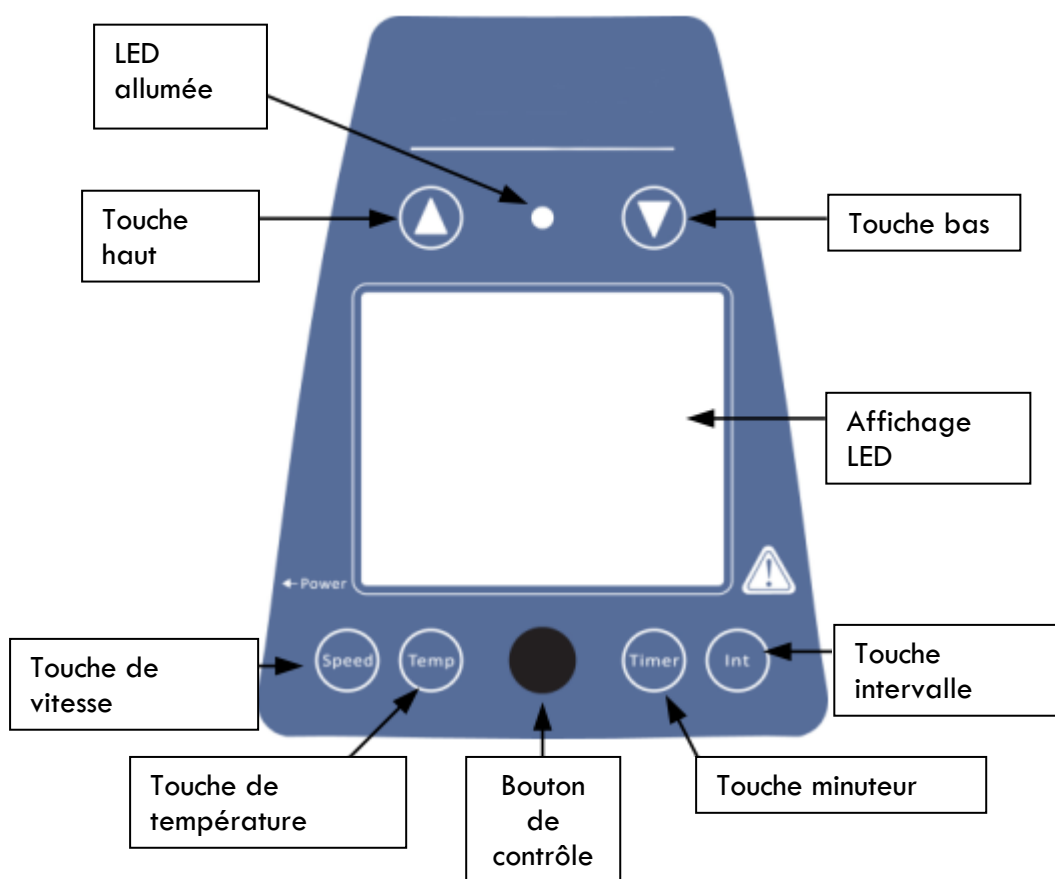


Figure 3

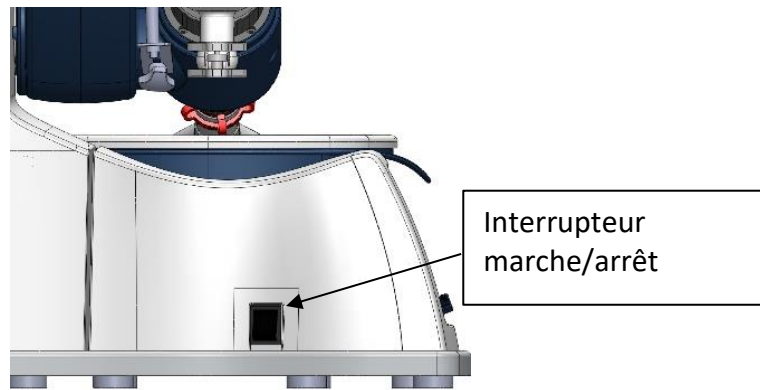


Figure 4

Éléments	Descriptions
Touche de vitesse Speed	Appuyez sur la touche puis tournez le bouton de commande pour régler la vitesse nominale dans la plage de 20 à 280 tr/min
Touche température Temp	Appuyez sur la touche puis tournez le bouton de commande pour régler la température nominale dans la plage de température ambiante jusqu'à 180 °C
Touche minuteur Timer	Appuyez sur la touche puis tournez le bouton de commande pour régler le temps nominal dans la plage de 1 à 900 min.
Touche intervalle Int	Appuyez sur la touche puis tournez le bouton de commande pour régler l'intervalle de rotation dans le sens horaire/anti-horaire dans la plage de 1 à 999 s
Bouton de contrôle	Tournez vers la droite pour augmenter les valeurs programmées. Tournez vers la gauche pour diminuer les valeurs programmées. Appuyez sur ce bouton pour allumer ou éteindre l'appareil
Touche haut	Appuyez sur le bouton pour faire monter l'élévateur. Relâchez le bouton et l'élévateur s'arrête dans cette position
Touche bas	Appuyez sur le bouton pour faire descendre l'élévateur. Relâchez le bouton et l'élévateur s'arrête dans cette position
Affichage LCD	L'écran LCD indique l'état actuel du travail
LED allumée	Lorsque l'appareil est allumé ou en fonctionnement, la LED s'allume.
Interrupteur marche/arrêt	Activé ou désactivé

Tableau 2

4.2 Écran

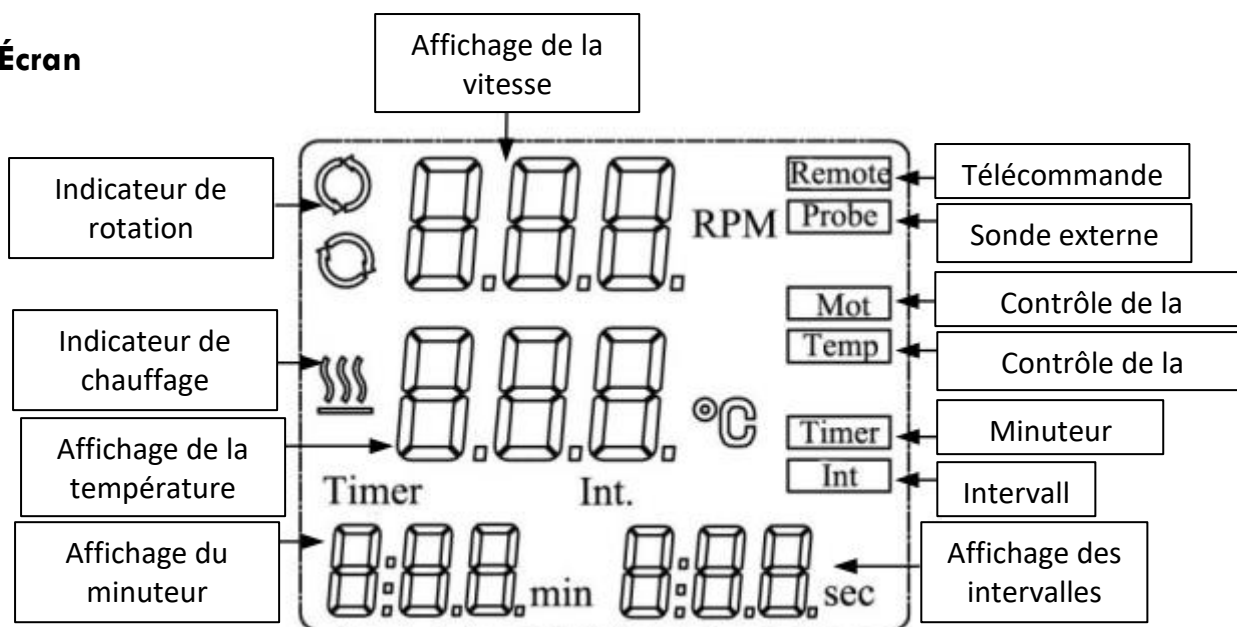


Figure 5

Écran	Descriptions
Remote	Affiché en cas de télécommande (cette fonction n'est pas disponible pour ce modèle)
Probe	Affiché lors de l'utilisation d'un capteur externe
Mot	Affiché lorsque la fonction de rotation est activée
Temp	Affiché lorsque la fonction de chauffage est activée
Timer	Affiché lorsque la fonction de minuterie est activée
Int	Affiché lors de l'allumage de la fonction « int »
Affichage de la vitesse	Lors de l'affichage de la vitesse, la valeur de consigne est affichée en clignotant. Elle s'arrête de clignoter lorsque la vitesse réelle atteint la valeur de consigne
Indicateur de rotation	Affiché lorsque la fonction de rotation est activée
Affichage de la température	Lors du réglage de la température, la valeur programmée est affichée. Lorsque la fonction de chauffage est activée, la valeur réelle est affichée à l'écran.
Indicateur de chauffage	Affiché lorsque la fonction de chauffage est activée.
Affichage du minuteur	Lorsque le minuteur est réglé, l'heure nominale est affichée. Lorsque la fonction de minuteur est activée, le temps restant est affiché.
Affichage des intervalles	La valeur cible « Int » est affichée

Tableau 3

5. Installation et fonctionnement

Ce chapitre décrit comment installer l'équipement et donne des instructions pour une première mise en service.

Remarque : inspectez l'instrument avant la première utilisation et pendant le déballage. Si nécessaire, contactez le fournisseur qui a fourni l'équipement et conservez l'emballage d'origine pendant le transport.

5.1 Installation

Placez l'instrument dans un emplacement stable avec une surface horizontale et tenez compte des dimensions maximales du produit. Effectuez les distillations sous vide et avec l'évaporateur rotatif sous une hotte.

5.1.1 Réglage de la base

Ajustez la base de l'équipement à votre emplacement de travail en faisant tourner les pieds comme indiqué sur la Figure 6.

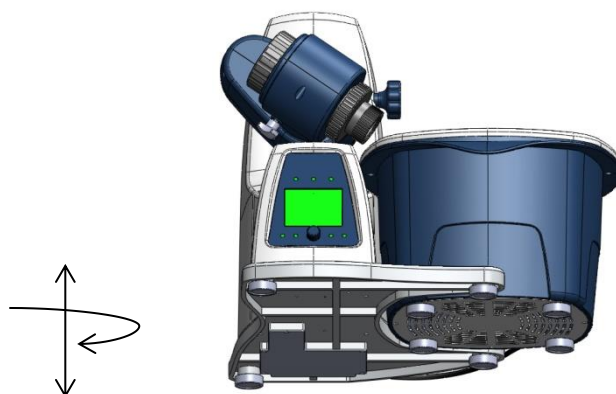


Figure 6

5.1.2 Position de travail et connexions électriques

L'unité est équipée d'une clé de verrouillage de transport, procédez comme suit pour amener l'évaporateur en position de fonctionnement :

- Tenez l'élévateur d'une main dans la position où l'appareil vous a été fourni. Avec l'autre main, dévissez la clé de verrouillage située à l'arrière de l'appareil (A).
- Une fois que la clé de verrouillage a été retirée, relâchez l'élévateur et vous verrez l'élévateur commencer à monter lentement en position de fonctionnement. Il parcourt une distance de 150 mm
- Connectez l'appareil à l'alimentation électrique (B) à l'aide du cordon d'alimentation
- Connecter le bain thermostatique à l'équipement (C)

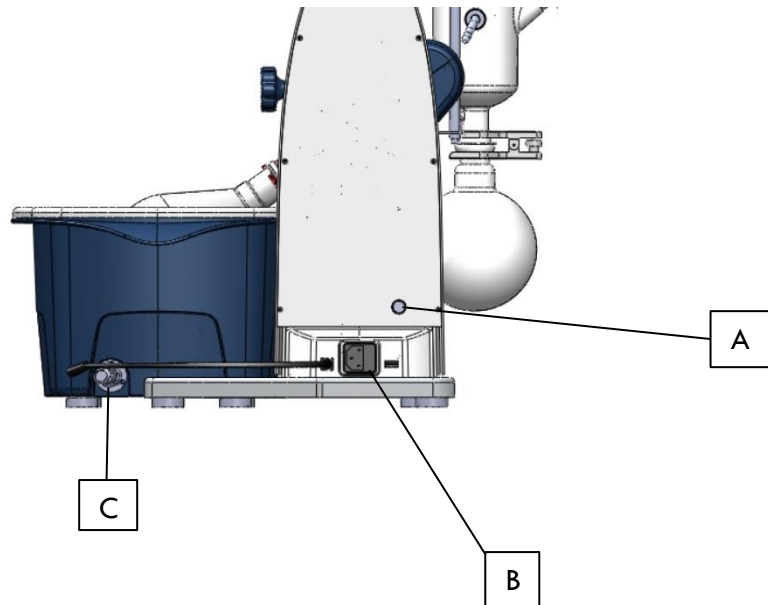


Figure 7

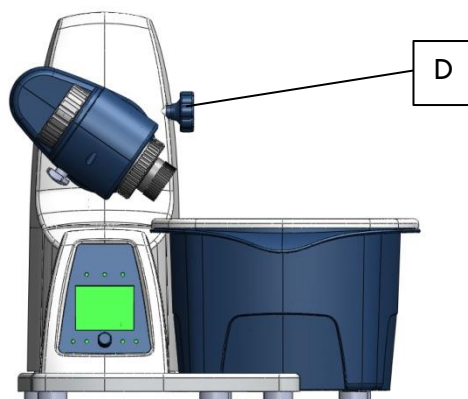


Attention

- Assurez-vous que la tension requise par l'équipement correspond à la tension du réseau utilisé.
- Connectez l'instrument à une source d'alimentation mise à la terre.

5.1.3 Réglage de l'angle de rotation

- La touche (D) permet de régler l'angle de rotation de la machine. Tournez la clé dans le sens inverse des aiguilles d'une montre pour modifier l'angle de rotation.
- Ajustez, à la main, à un angle d'environ 30°.



- Une fois l'angle réglé, fermez la clé (D) en la tournant dans le sens des aiguilles d'une montre. De cette façon, nous tenons le corps qui soutient les pièces de verre.

5.1.4 Pièce de passage de la vapeur

Pour insérer le tube de l'évaporateur (E), suivez les instructions suivantes :

- Ouvrez le dispositif de verrouillage (F), en dévissant les 4 vis situées sur l'unité principale, en les en tournant dans le sens inverse des aiguilles d'une montre.
- Insérez le tube de l'évaporateur jusqu'à ce qu'il s'arrête.
- Refermez le dispositif de verrouillage en le tournant dans le sens des aiguilles d'une montre et remettez les 4 vis en place pour une meilleure étanchéité.
- L'écrou en plastique (G) permet de créer un joint étanche sans exercer de contrainte sur la partie en contact.
- Pour installer l'écrou, il suffit de l'insérer dans le tube d'évaporation et de le visser dans le sens des aiguilles d'une montre.

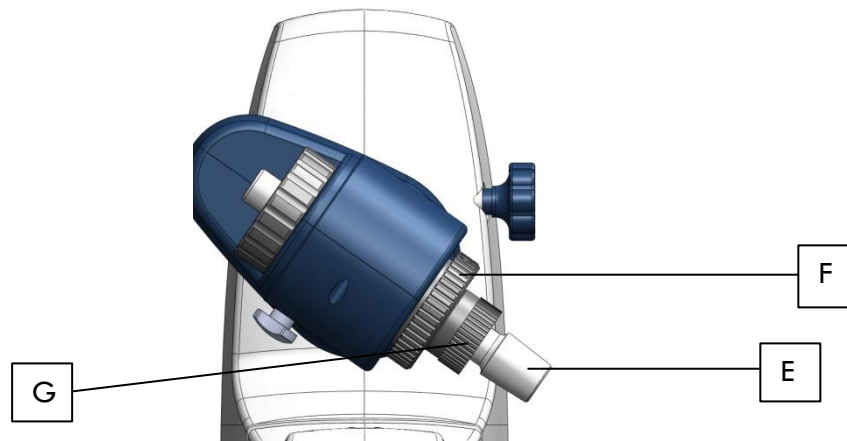


Figure 9

5.1.5 Joint du condenseur

Le joint du condenseur a pour fonction d'assurer un joint hermétique et de garantir le vide de l'appareil. Il est situé dans la partie en contact avec le condensateur. Pour l'installer, observez les images suivantes :

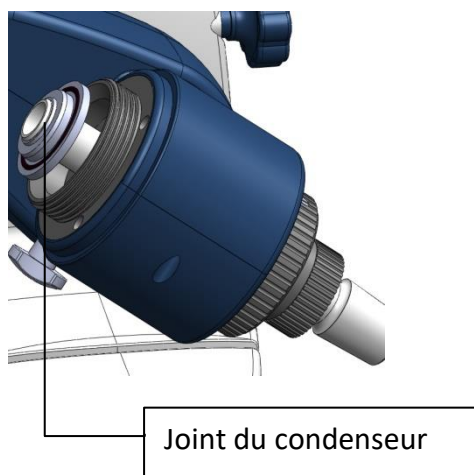


Figure 10

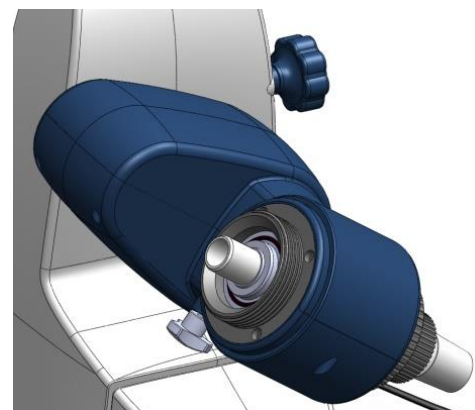


Figure 11

Remarque : les chapitres 5.1.2 et 5.1.3 ne nécessitent pas d'installation car ils sont déjà installés en usine. Il ne faut effectuer cette installation que lorsque vous souhaitez changer des accessoires sur l'appareil ou lorsque vous souhaitez procéder à une maintenance. Pour la liste des accessoires que nous fournissons, voir le « Chapitre 9 : Accessoires et pièces détachées »

5.1.6 Condensateur

- Insérez d'abord l'écrou (H), puis le ressort de verrouillage (I) dans le condensateur
- Une fois l'assemblage terminé, placez-le et installez-le sur le corps principal en tournant l'écrou (H) dans le sens des aiguilles d'une montre
- Pour une meilleure étanchéité, mettez l'appareil en marche et faites-le tourner à 200 tours par minute pendant 2 minutes

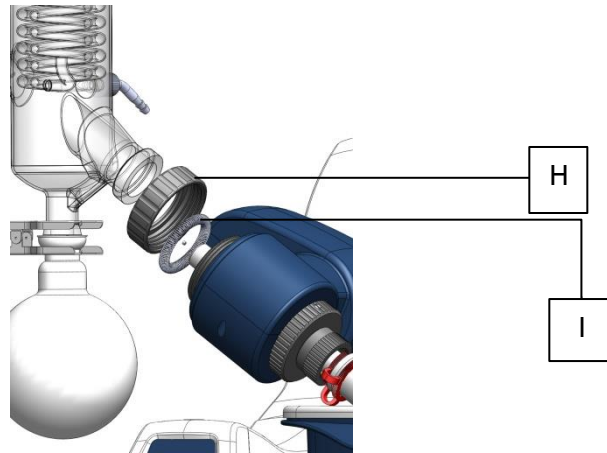


Figure 12

5.1.7 Tige de support

La tige de support contient une sangle qui maintient l'ensemble du verre. Cet accessoire est optionnel. Son seul but est de renforcer la stabilité de l'appareil. Nous le recommandons tout particulièrement pour les assemblages en verre contenant un condensateur.

- Pour installer la tige de support (J), il convient d'utiliser une clé de blocage (A) retirée au chapitre « 5.1.2 Position de travail et connexions électriques »

- Placez la tige de support entre le refroidisseur et le corps principal ; utilisez la clé de verrouillage (A) et vissez-la dans la rainure, au fond du moteur. Une fois la position réglée, utilisez le ruban adhésif fourni avec tous les appareils pour entourer le condensateur et le fixer au dispositif de verrouillage.

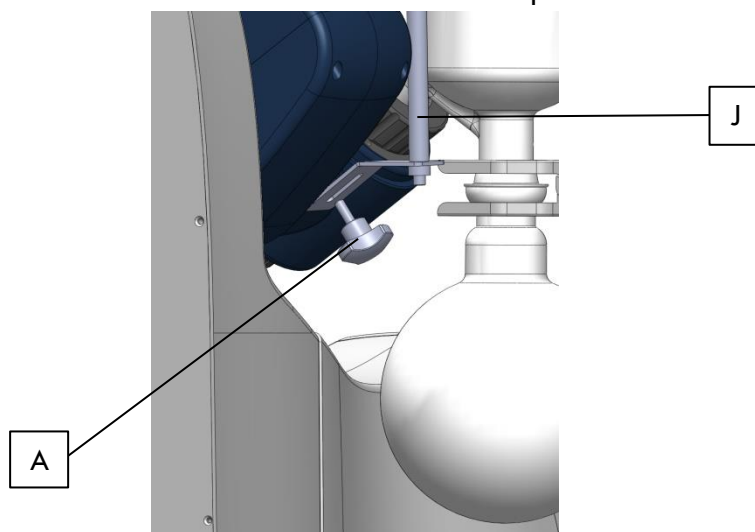


Figure 13



Attention

La tige de support n'est pas conçue pour supporter seule le poids de l'ensemble du verre.

5.1.8 Raccords de tuyauterie

L'image suivante montre un schéma de la connexion des tuyaux de l'appareil :

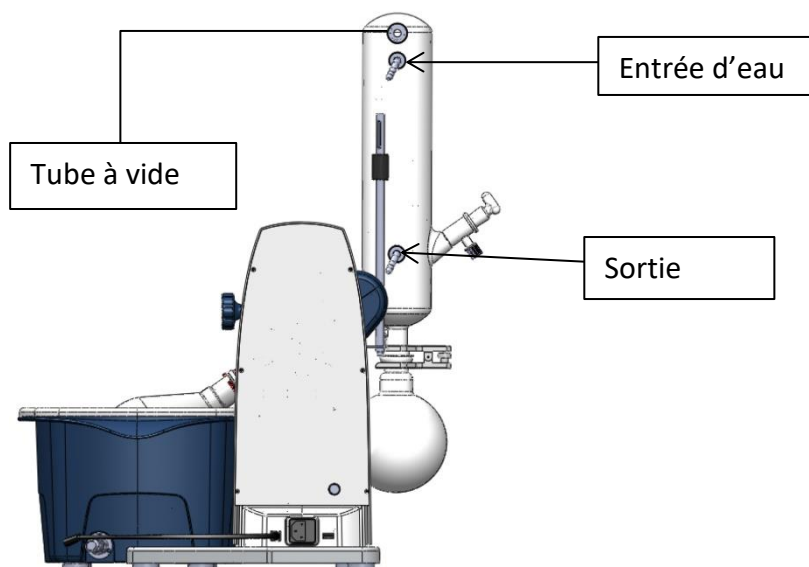


Figure 14

5.1.8.1 Tubes de raccordement à l'eau

Lors du raccordement des conduites d'eau du condenseur, respectez les points suivants :

- Utilisez les connecteurs à tube rouges fournis avec l'appareil
- Les tubes utilisés doivent avoir un diamètre égal à celui du connecteur, soit environ 8 mm, voir la section « 9 : Accessoires et pièces détachées » pour voir nos références
- Pour des raisons de sécurité, essayez de fixer les tuyaux avec des colliers, nous vous recommandons de consulter la section « 9 : Accessoires et pièces détachées »
- Vérifiez les tubes de temps en temps et remplacez-les lorsqu'ils sont fragiles ou cassés

5.1.8.2 Tubes à vide

Lors du raccordement des tubes pour faire le vide, respectez les points suivants :

- Utilisez les connecteurs à tube rouges fournis avec l'appareil
- Les tubes utilisés doivent avoir un diamètre égal à celui du connecteur, soit environ 8 mm, voir la section « 9 : Accessoires et pièces détachées » pour voir nos références
- Maintenez les tubes à vide aussi courts que possible
- Il n'est pas nécessaire de fixer le tuyau d'aspiration
- Vérifiez les tubes de temps en temps et remplacez-les lorsqu'ils sont fragiles ou cassés.

5.2 Manipulation

Ce chapitre explique comment utiliser correctement et en toute sécurité les différents éléments et modes de fonctionnement possibles de l'appareil.



Avertissement

Risque de blessure

N'utilisez jamais cet instrument si la verrerie est endommagée

5.2.1 Réglage de la hauteur du moteur

Pour une position de travail plus ergonomique, la hauteur du moteur peut être adaptée selon vos besoins. Si vous souhaitez modifier la hauteur, procédez de la manière suivante :

- Une fois l'appareil mis sous tension, appuyez sur le bouton (haut) ou (bas), et la hauteur changera automatiquement.

- Si vous souhaitez arrêter le réglage de la hauteur, il vous suffit de ne plus appuyer sur le bouton et l'équipement s'arrêtera automatiquement.

5.2.2 Réglage de la température du bain

Dès que vous allumez l'appareil à l'aide du bouton marche/arrêt, le bain thermostatique commence à chauffer si la température réelle est inférieure à la température réglée.

Pour régler une température, appuyez sur le bouton de température « temp » et sélectionnez la température souhaitée en tournant le bouton de commande. Pour confirmer l'action, appuyez sur le bouton de commande.



Avertissement

Le bain thermostatique peut atteindre des températures supérieures à 100 °C. Pour éviter les brûlures, veuillez noter :

- Retirez la bouteille qui est en contact avec la baignoire car les éclaboussures peuvent entraîner une brûlure.
- Veillez à ce que le liquide ne déborde pas du bain lorsque la bouteille est immergée.


5.2.3 Réglage de l'angle de rotation

L'angle d'immersion à l'intérieur du bain thermostatique est de 30° par défaut. Si vous devez opérer sous un angle différent, par exemple, lorsque vous travaillez avec une bouteille de dimension différente, vous pouvez l'adapter en fonction de vos besoins

- Éteignez l'instrument

- D'une main, tenez l'ensemble en verre, c'est-à-dire le condenseur à côté du ballon collecteur ; de l'autre main, tournez et ouvrez la clé du moteur (voir chapitre 5.1.3)


- Une fois que la clé est ouverte, ajustez l'angle. Après avoir réglé l'angle, fermez la clé pour définir la position de rotation

	<p>Avertissement Risque de blessures N'utilisez pas l'appareil si l'appareil en verre est cassé</p> <p>Attention Risque d'endommager l'instrument Ne réglez jamais l'angle de rotation pendant que l'appareil est en cours de fonctionnement</p>
---	--

5.2.4 Réglage de la vitesse

Pour régler la vitesse de rotation de l'équipement :

Appuyez sur le bouton de température « speed » et sélectionnez la vitesse souhaitée en tournant le bouton de commande. Appuyez sur le bouton de commande pour confirmer l'action.

	<p>Attention Risque d'endommager l'instrument Adaptez la vitesse de rotation aux dimensions de la bouteille et aux propriétés du solvant</p>
---	--

5.2.5 Réglage du minuteur

Si vous souhaitez travailler pendant des périodes spécifiques, procédez de la manière suivante :

- Appuyez sur le bouton « time » puis, à l'aide du bouton de commande, choisissez la période de temps avec laquelle vous souhaitez travailler (min).
- Pour confirmer et mémoriser l'action, appuyez sur le bouton de commande.
- Si vous devez désactiver cette fonction, réglez la valeur du temps sur « 0 » et appuyez sur le bouton de commande pour confirmer.

5.2.6 Conditions de distillation

Afin d'obtenir des conditions de distillation optimales, l'énergie de distillation fournie par le bain thermostatique doit être évacuée par le condenseur.

Pour s'en assurer, utilisez l'instrument conformément aux règles suivantes :

- **Eau de refroidissement : max. 20 °C**
- **Vapeur : 40 °C**
- **Bain thermostatique : 60 °C**

Comment obtenir ces conditions ?

- Réglez le bain thermostatique à 60 °C
- Réglez la température de refroidissement à 20 °C maximum
- À l'aide d'un débitmètre, faites passer un débit d'environ 40-50 l/h d'eau froide dans le condenseur
- Définissez le vide tel que le point d'ébullition du solvant soit de 40 °C.

La pression correspondante se trouve dans le tableau des solvants du chapitre 12

Avantages associés à une température de bain de 60 °C :

- Le ballon d'évaporation peut être retiré sans risque de brûlures
- L'indice d'évaporation de l'eau du bain est faible (faible perte d'énergie)
- L'énergie du bain thermostatique est utilisée avec un bon degré d'efficacité

Cette règle peut également s'appliquer à des températures de bain basses, par exemple :

- **Eau de refroidissement : 0 °C**
- **Vapeur : 20 °C**
- **Bain thermostatique : 40 °C**

5.2.7 Distillation

Pour commencer à utiliser l'instrument, vérifiez que :

- Toutes les connexions électriques sont branchées
- Tous les joints sont correctement installés
- Tous les joints ou pièces de contact sont graissés

Pour commencer à utiliser l'instrument, suivez les étapes suivantes :

- Allumez l'alimentation
 - Faites circuler l'eau froide dans le condenseur à une température maximale de 20 °C et avec un débit de 40-50 l/h
 - Réglez la température du bain thermostatique à la valeur souhaitée comme décrit ci-dessus et attendez que le bain atteigne la température programmée
 - Remplissez le flacon de l'évaporateur avec la solution à distiller et assurez-vous qu'il ne dépasse pas un poids maximal de 3 kg
 - Assemblez le flacon à l'aide d'une pince et de graisse ou de vaseline
- Remarque :** choisissez la pression de manière à ce que le point d'ébullition du solvant soit de 40 °C (voir le tableau des solvants au chapitre 12)
- Régler la vitesse de rotation

Si les opérations décrites ci-dessus se déroulent normalement, l'appareil est prêt à être utilisé. Autrement, l'évaporateur rotatif est susceptible d'avoir été endommagé au cours du transport. Dans ce cas, veuillez nous contacter pour obtenir une assistance technique.

6. Dysfonctionnements

Ce chapitre présente une synthèse des mesures à appliquer suite à des dysfonctionnements mineurs de l'appareil. Tous les problèmes possibles sont répertoriés, ainsi que leurs solutions éventuelles.

6.1 Dysfonctionnements généraux et leurs solutions

L'alimentation ne s'allume pas :

- Vérifiez que la ligne électrique est bien déconnectée.
- Vérifiez que le câble est bien connecté à l'appareil et au réseau électrique

Le bain thermostatique ne chauffe pas :

- Vérifiez qu'il est correctement connecté au corps principal
- Remplacez le fusible. Si le dysfonctionnement se reproduit, contactez le fournisseur qui a livré l'équipement

L'élévateur ne fonctionne pas correctement :

- Contactez directement le fournisseur qui a livré l'équipement

Le flacon ne tourne pas correctement :

- Réglez une vitesse de rotation sur 0 tr/min et augmentez lentement la vitesse de rotation jusqu'à ce que le moteur de rotation fasse tourner le flacon.
- Redémarrez l'appareil.

Le système fuit ou renverse du liquide :

- Graissez les joints aux points de contact entre les matériaux.
- Vérifiez la connexion des tubes et ajustez-les correctement.

- Le tuyau est cassé. Dans ce cas, remplacez les tubes.
- Le système d'étanchéité est cassé ou n'a pas été installé correctement. Vérifiez le système d'étanchéité expliqué aux chapitres 5.1.4 et 5.1.5
- Si cela ne résout pas le problème, remplacez le joint de vide ou le joint du condenseur.

6.2 Dysfonctionnement du système de vide et solutions

Ne parvient pas à faire le vide dans tout le système :

- Vérifiez que tous les joints et connexions sont bien graissés et serrés
- Si vous utilisez un tube à vide, ouvrez le robinet où le tube à vide est installé aussi loin que possible

La distillation disparaît progressivement :

- Augmentez le vide manuellement jusqu'à ce que l'évaporation reprenne.
- Si le problème persiste, arrêtez l'appareil et la pompe à vide, ouvrez la vanne de vide et vérifiez que les raccords sont étanches et correctement graissés et ajustés.

La distillation s'arrête complètement :

- Arrêtez l'équipement et la pompe à vide, ouvrez la vanne de vide et vérifiez qu'il n'y a pas de fuites de vide éventuelles au niveau des joints et des raccords et qu'ils sont graissés et parfaitement serrés.

7. Entretien et nettoyage

Ce chapitre comprend des instructions pour toutes les procédures de maintenance pour maintenir l'instrument en bon état de fonctionnement.



Avertissement

Risque électrique

Débranchez l'appareil du secteur et maintenez-le éloigné des sources de vapeur inflammable avant d'effectuer les travaux d'entretien.

7.1 Emplacement de l'appareil

Vérifiez l'espace où sera placé l'appareil par défaut (contrôles, parasites) et nettoyez-le régulièrement avec un chiffon humide.



Attention

N'utilisez jamais de solvants organiques comme produits de nettoyage car ils sont susceptibles d'endommager l'instrument.

7.2 Raccordement de la tuyauterie

Effectuez des inspections visuelles régulières du raccordement des tuyaux. Lorsque les tubes semblent cassés ou fissurés, remplacez-les par de neufs.

Consultez le chapitre « 9 : Accessoires et pièces détachées » pour voir la liste des articles que nous pouvons vous fournir.

7.3 Système d'étanchéité



Attention

Lorsque vous retirez et réinstallez les joints à vide, veillez à ne pas les endommager au cours de la manipulation.

Ne touchez jamais les joints d'étanchéité avec un objet pointu, car cela pourrait les endommager.

7.3.1 Remplacement des joints d'étanchéité

Les joints sont soumis à de fortes contraintes et constituent généralement l'une des parties les plus sollicitées de l'appareil. Vérifiez régulièrement leur état et, si nécessaire, remplacez-les. Voir le chapitre 7.2. pour le dépannage et le chapitre 5.5. pour l'installation du système d'étanchéité. Contactez le revendeur qui a fourni l'appareil pour plus d'informations.

7.4 Bain thermostatique

La surface intérieure du bain thermostatique doit être nettoyée lorsque :

- L'eau utilisée dans le bain est calcifiée ou contaminée.
- Si vous utilisez de l'huile à la place de l'eau, vous devez laver la surface interne du bain lorsque l'huile change d'aspect (couleur, viscosité...).

Pour ce faire, retirez le bain thermostatique et videz-le dans un endroit sûr.

7.5 Composants en verre

Pour prolonger la durée de vie des composants en verre, tenez compte des instructions suivantes : Rincez les éléments en verre avec de l'eau et un produit de nettoyage.

Remarque : nous recommandons de laver toutes les parties en verre à la main.

Remarque : utilisez uniquement des produits de nettoyage recommandés dans les situations suivantes :

Colorants	Alcool isopropylique
Matériaux de construction	Eau avec tensioactifs / alcool isopropylique
Produits cosmétiques	Eau avec tensioactifs / alcool isopropylique
Produits alimentaires	Eau avec tensioactifs
Combustibles	Eau avec tensioactifs

Tableau 4

8. Caractéristiques techniques

Éléments	Spécifications
Tension [VCA]	100-240
Fréquence [Hz]	50/60
Puissance [W]	1400
Moteur	Moteur sans balais avec rotor externe
Plage de vitesse [rpm]	20-280
Écran	LCD
Sens de rotation réversible	Oui
Plage de température [°C]	RT-180
Précision du thermostat [°C]	±1
Puissance thermique [W]	1300
Élévateur	Moteur
Course de levée [mm]	150
Minuteur [min]	1-999
Dimensions extérieures [P x L x H, mm]	465 × 457 × 583
Poids [kg]	15
Température ambiante [°C]	5-40
Humidité relative	80 %
Classe de protection DINEN60529	IP20
USB	Oui

Tableau 5

9. Accessoires et pièces de rechange

Ce chapitre présente les accessoires, les éléments de scellement et la verrerie qui sont fournis. Utilisez uniquement des accessoires fournis par LABBOX afin de garantir le fonctionnement de l'appareil et assurer le bon fonctionnement du système.

9.1 Ensemble verrerie

Référence Labbox	Description
REVA-A01-001	Jeu de verre vertical, comprenant un condensateur, un ballon de distillation (269/32) et un ballon collecteur (35/20)
REVA-A02-001	Ballon collecteur (35/20), capacité 1000 ml
REVA-A03-001	Pièce de passage de la vapeur

Tableau 6

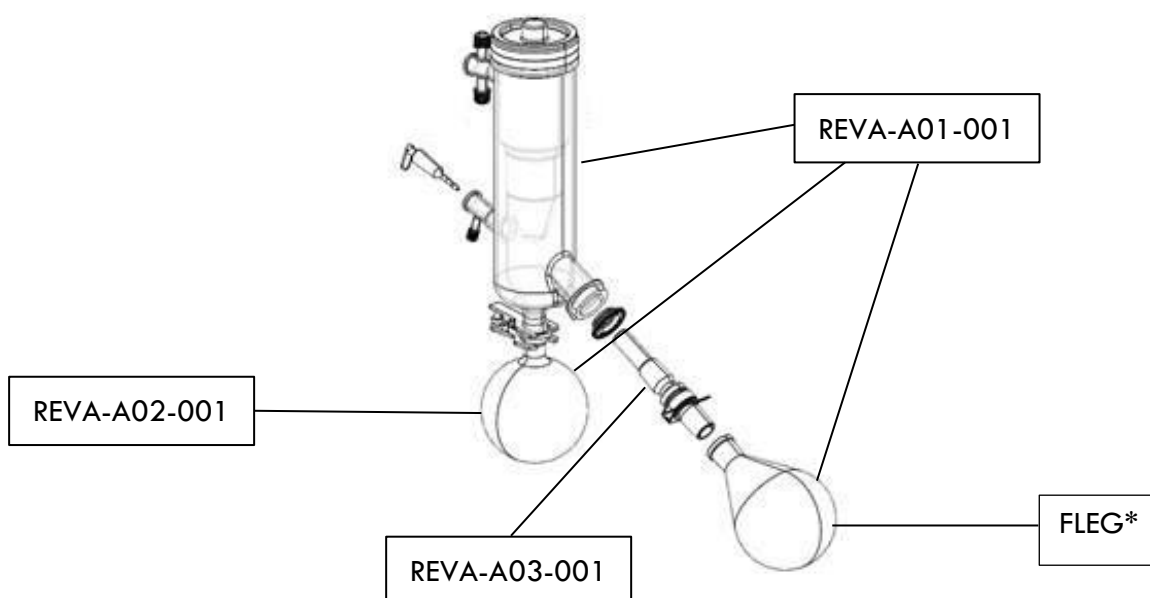


Figure 15

*

Ballon d'évaporation	Capacité
FLEG-051-001	50 ml
FLEG-101-001	100 ml
FLEG-250-001	250 ml
FLEG-500-001	500 ml
FLEG-1K0-001	1000 ml
FLEG-2K0-001	2000 ml

Tableau 7

9.2 Pièces à vide et accessoires

Référence Labbox	Description
REVA-A04-001	Joint à vide
REVA-A05-001	Pièce de verrouillage de la bouteille d'évaporation
LTXT-007-005	Tubes en latex, couleur ambre, 7 x 10 mm, 5 m
RUTT-008-002	Tuyau en caoutchouc pour le vide, 8 x 16 mm, 2 m
VACU-R20-001	Pompe à vide LBX R20 résistante aux produits chimiques, 18 l/min, -750 mmHg

Tableau 8

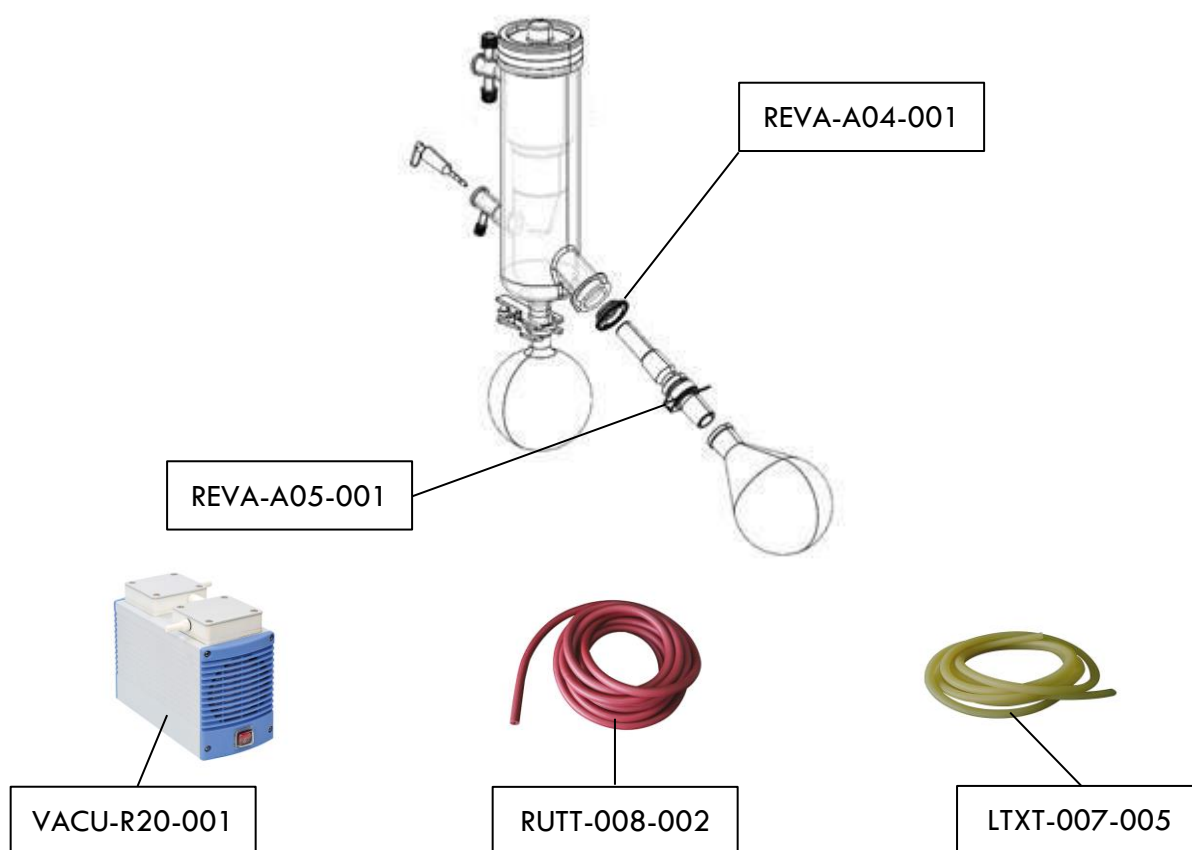


Figure 16

Pour plus d'informations sur les accessoires ou le matériel de laboratoire dont vous avez besoin, veuillez consulter notre site web www.labbox.com ou appeler le (+34) 902 99 53 18.

10. Réglementation applicable

Fabriqué conformément aux normes de sécurité suivantes :
EN 6110-1 (Règles de sécurité pour appareils électriques de mesure, de régulation et de laboratoire. Partie 1 : exigences générales)
UL 3101-1 (Matériel électrique de laboratoire ; Partie 1 : exigences générales)
CAN/CSA C22.2 (1010-1)
EN61010-2-10 (chauffage)
Fabriqué conformément à la norme CEM suivante
EN 61326-1 (compatibilité électro-magnétique)
Directives UE associées :
Directive CEM : 89/336/EWG
Directive sur l'instrument : 73/023/EWG

Tableau 9


Les changements ou modifications qui ne sont pas expressément approuvés par la partie responsable de la conformité peuvent annuler l'autorité de l'utilisateur sur l'exploitation de l'appareil.


Remarque : cet appareil a été approuvé pour être conforme aux limites d'un appareil électrique de classe A, conformément à la partie 15 des règles de la FCC. Ces limites sont conçues pour fournir une protection contre les interférences nuisibles lorsque l'appareil est utilisé dans un environnement commercial. Cet appareil génère, utilise et peut émettre une énergie de fréquence radio. Par conséquent, s'il n'est pas installé et utilisé conformément à ce manuel d'instructions, il peut causer des interférences avec les communications radio. L'utilisation de cet équipement dans une zone résidentielle est susceptible de provoquer des interférences nuisibles, auquel cas l'utilisateur devra corriger ces interférences à ses propres frais.

11. Stockage et transport

Ce chapitre vous indique comment stocker l'instrument, comment l'emballer pour le transporter et quelles sont les conditions spécifiques de stockage et de transport.

Stockage et transport

	<p>Alerte <i>Risques biologiques</i></p> <p>Retirez toutes les substances dangereuses de l'instrument et nettoyez soigneusement toutes les parties de l'appareil.</p> <p>Conservez toujours l'appareil dans un endroit sec et propre, bien ventilé et exempt de gaz corrosifs.</p> <p>Évitez de mouiller l'appareil et évitez les chocs pendant le transport.</p> <p>Conservez et transportez l'appareil dans son emballage d'origine.</p>
---	---

	<p>Alerte <i>Risque électrique</i></p> <p>Retirez toujours la fiche de la prise pour éviter tout risque d'électrocution lié à des câbles sous tension.</p>
---	---

Afin de disposer l'instrument dans une atmosphère respectueuse de l'environnement, une liste de tous les équipements nécessaires est donnée au chapitre 3. La liste permet de séparer et de recycler correctement ces composants. Veuillez respecter les lois locales et régionales.

12. Tableau des solvants

Solvant	Formule	Masse molaire (g/mol)	Énergie d'évaporation (J/g)	Point d'ébullition à 1013 mbar (°C)	Densité (g/cm ³)	Pression absolue pour un point d'ébullition à 40 °C (mbar)
Acétone	CH ₃ H ₆ O	58,1	553	56	0,790	556
1-pentanol	CH ₅ H ₁₂ O	88,1	595	37	0,814	11
Benzène	C ₆ H ₆	78,1	548	80	0,877	236
n-butanol	C ₄ H ₁₀ O	74,1	620	118	0,810	25
2-méthyl-2-propanol	C ₄ H ₁₀ O	74,1	590	82	0,789	130
Chlorobenzène	C ₆ H ₅ Cl	112,6	377	132	1,106	36
Chloroforme	CHCl ₃	119,4	264	62	1,483	474
Cyclohexane	C ₆ H ₁₂	84,0	389	81	0,779	235
Éther éthylique	C ₄ H ₁₀ O	74,0	389	35	0,714	atmosphérique
1,2-dichloroéthane	C ₂ H ₄ Cl ₂	99,0	335	84	1,235	210
1,2-dichloroéthylène (cis)	C ₂ H ₂ Cl ₂	97,0	322	60	1,284	479
1,2-dichloroéthylène (trans)	C ₂ H ₂ Cl ₂	97,0	314	48	1,257	751
Éther diisopropylique	C ₂ H ₂ C ₁₂	102,0	318	68	0,724	375
Dioxane	C ₆ H ₁₄ O	88,1	406	101	1,034	107
DMF	C ₄ H ₈ O ₂	73,1	-	153	0,949	11
Acide acétique	C ₃ H ₇ NO	60,0	695	118	1,049	44
Éthanol	C ₂ H ₄ O ₂	46,0	879	79	0,789	175
Éthanoate d'éthyle	C ₄ H ₈ O ₂	88,1	394	77	0,900	240
Heptane	C ₇ H ₁₆	100,2	373	98	0,684	120
Hexane	C ₆ H ₁₄	86,2	368	69	0,660	335
Alcool isopropylique	C ₃ H ₈ O	60,1	699	82	0,786	137
3-méthyl-1-butanol	C ₅ H ₁₂ O	88,1	595	129	0,809	14
Butanone	C ₄ H ₈ O	72,1	473	80	0,805	243
Méthanol	CH ₄ O	32,0	12327	65	0,791	337
Dichlorométhane	CH ₂ Cl ₂	84,9	373	40	1,327	atmosphérique
Pentane	C ₅ H ₁₂	72,1	381	36	0,626	atmosphérique
1-propanol	C ₃ H ₈ O	60,1	787	97	0,804	67
Pentachloroéthane	C ₂ HCl ₅	202,3	201	162	1,680	13
1,1,2,2-tétra-chloroéthane	C ₂ H ₂ Cl ₄	167,9	247	146	1,595	35
Tétrachlorure de carbone	CCl ₄	153,8	226	77	1,594	271
1,1,1-tri-chloro-éthane	C ₂ H ₃ Cl ₃	133,4	251	74	1,339	300
Tétra-chloro-éthylène	C ₂ Cl ₄	165,8	234	121	1,623	53
THF	C ₄ H ₈ O	72,1	-	67	0,889	357
Toluène	C ₇ H ₈	92,2	427	111	0,867	77
Trichloroéthylène	C ₂ HCl ₃	131,3	264	87	1,464	183
Eau	H ₂ O	18,0	2261	100	1,000	72
Xylène (mélange)	C ₈ H ₁₀	106,2	389	-	-	25
o-xylène	C ₈ H ₁₀	106,2	-	144	0,880	-
m-xylène	C ₈ H ₁₀	106,2	-	139	0,864	-
p-xylène	C ₈ H ₁₀	106,2	-	138	0,861	-

Tableau 10

EVA180 Evaporatore rotante

Introduzione

Gli utenti sono tenuti a leggere attentamente il presente manuale e a seguire le istruzioni e le procedure in esso indicate al fine di conoscere tutte le precauzioni da adottare prima di utilizzare l'apparecchiatura.

Assistenza

Se si necessita di assistenza, è possibile contattare il proprio fornitore oppure Labbox attraverso il sito: www.labbox.com (modulo di gestione incidenti)

Si prega di fornire al personale dell'Assistenza Clienti le seguenti informazioni:



- Numero di serie dell'apparecchiatura
- Descrizione del problema rilevato
- I propri dati di contatto

Garanzia

Questo strumento è coperto da una garanzia di 24 mesi dalla data di fatturazione per difetti dei materiali e di fabbrica in condizioni di uso normali, secondo quanto descritto nel presente manuale. La garanzia si estende esclusivamente all'acquirente originario. Tale garanzia non si applica all'apparecchiatura né a un suo qualunque componente danneggiato a seguito di un'errata installazione, collegamenti impropri, uso improprio, incidente o condizioni di utilizzo non conformi.

Per i reclami in garanzia, si prega di contattare il proprio fornitore.

1. Istruzioni di sicurezza

	Collegare l'apparecchiatura a una fonte di alimentazione provvista di messa a terra per garantire la sicurezza dello strumento e dell'esperimento; collegare l'alimentazione quando l'apparecchiatura lo richiede
	È vietato utilizzare questa apparecchiatura in esperimenti infiammabili, esplosivi, tossici o altamente corrosivi
	Posizionare l'evaporatore rotante su una superficie orizzontale, piana e stabile, lasciando uno spazio libero di 30 cm su ogni lato, così da poter operare comodamente. Accertarsi che la superficie sia adeguata a sorreggere il peso dello strumento
	L'evaporatore rotante deve essere utilizzato da personale preventivamente qualificato, che conosca già l'apparecchiatura e il suo utilizzo attraverso il manuale d'uso
	Non collocare l'evaporatore rotante in prossimità di fonti di calore
	Quando l'apparecchiatura è in funzione, non toccare la superficie riscaldante per evitare ustioni
	Durante il funzionamento, deve essere tenuto completamente separato da materiali pericolosi quali liquidi infiammabili o materiale patologico
	Leggere il manuale di istruzioni prima di utilizzare l'apparecchiatura e conservarlo in luogo accessibile a chiunque
	Utilizzare dispositivi di sicurezza adeguati, quali protezioni per gli occhi e guanti, secondo quanto indicato dal produttore del reagente
	Prestare particolare attenzione agli schizzi e proteggersi adeguatamente

-Conservare le istruzioni per l'uso dell'apparecchio in un luogo accessibile a tutto il personale che si appresta a utilizzare lo strumento.

-Durante l'uso dell'apparecchiatura, utilizzare dispositivi di protezione individuale per evitare il rischio di possibili lesioni, quali:

- Ustioni da schizzi ed evaporazione di liquidi
- Intossicazione per emissione di gas tossici o combustibili
- Tagli o altre lesioni dovute all'utilizzo di materiali frangibili come il vetro

-Fare attenzione ai pericoli derivanti da:

- Materiali o mezzi infiammabili con un punto di ebollizione basso
- Riempimento eccessivo del contenitore
- Contenitori non sicuri

-Assicurarsi che durante il montaggio la vetreria non venga sottoposta a pressioni, a causa del rischio di rottura rappresentato da:

-Pericoli meccanici esterni

-Eccesso di temperatura all'interno dell'apparecchio stesso

-La temperatura deve sempre essere impostata almeno 25°C al di sotto del punto di infiammabilità dei materiali utilizzati

-Non utilizzare l'apparecchiatura in atmosfere esplosive, con sostanze pericolose o sotto l'acqua

-Controllare l'apparecchiatura e gli accessori prima di ogni utilizzo e non usare componenti in cattivo stato. Il funzionamento sicuro dell'apparecchiatura è garantito solo con gli accessori descritti nella sezione "Contenuto dell'imballaggio". Gli accessori devono essere saldamenti fissati all'apparecchio e non possono essere staccati. Scollegare sempre l'alimentazione prima di montare gli accessori

-Non coprire le prese d'aria necessarie alla ventilazione dell'apparecchiatura, al fine di garantire un adeguato raffreddamento del dispositivo

-Adeguare la quantità e il tipo di solvente alle dimensioni dell'apparecchiatura per distillazione

-Si prega di tenere presente che concentrazioni elevate di gas, vapore o materiali particolari possono disperdersi attraverso il refrigeratore. Accertarsi di evitare questo rischio utilizzando, ad esempio, trappole a freddo, bottiglie per lavaggio dei gas o un sistema di estrazione efficace, come le vetrine

-La vetreria è progettata per lavorazioni con un vuoto massimo di 10 mbar. Deve essere rimossa prima di surriscaldarsi e si potrà riutilizzare solo dopo che si è raffreddata

-Evitare la formazione di perossido. I perossidi organici possono accumularsi durante la distillazione e generare residui di scarico che esplodono facilmente quando si decompongono.

-Non riscaldare mai il pallone di evaporazione nel bagno senza avere prima azionato il movimento rotatorio. In questo modo si eviteranno possibili perdite di campione.

-Fare attenzione alla regolazione della temperatura; sorvegliare costantemente l'apparecchiatura quando è in funzione e con la funzione di riscaldamento accesa.

-Non maneggiare l'evaporatore quando il pistone di rotazione sta girando. Si raccomanda di aumentare e/o diminuire gradualmente la velocità di rotazione e di ridurre la velocità in caso di funzionamento irregolare.

-Per scollegare l'apparecchiatura dalla presa di corrente, non tirare il cavo, ma afferrare la spina dalla base ed estrarla.

-La tensione indicata sull'apparecchiatura deve corrispondere a quella della rete elettrica utilizzata.

-Assicurarsi che il cavo di alimentazione principale non sia a contatto con la superficie riscaldante. Non coprire l'apparecchiatura.

-Tenere l'apparecchiatura lontana da forti campi magnetici.

2. Regole di utilizzo

Questa apparecchiatura è specificamente progettata per le distillazioni con scopi didattici, di laboratorio o industriali. Questa apparecchiatura non è adatta all'uso domestico o in ambienti che possono costituire un pericolo per l'utente o l'apparecchiatura stessa.


Con gli accessori raccomandati dal produttore, questo apparecchio è in grado di svolgere le seguenti operazioni:

- Rapida distillazione di liquidi
- Evaporazione di soluzioni e sospensioni
- Cristallizzazione, sintesi o pulizia di sostanze chimiche
- Riciclo di solventi

3. Ispezione

3.1 Ricezione

Disimballare con attenzione lo strumento e verificare che l'apparecchio e/o i relativi accessori non presentino danni derivanti dal trasporto. Se necessario, contattare il fornitore dell'apparecchio e richiedere assistenza tecnica.

	Attenzione: -Se l'apparecchiatura è danneggiata, non deve essere collegata alla rete elettrica -Prima di accendere il dispositivo, accertarsi che la chiusura di sicurezza sia sbloccata
---	---

3.2 Contenuto dell'imballaggio

La confezione include i seguenti articoli:

Elemento	Quantità
Unità principale	1
Bagno di riscaldamento	1
Condensatore	1
Pallone di distillazione (29/32)	1
Pallone di raccolta (35/20)	1
Asta di supporto	1
Cavo di alimentazione	1
Manuale d'uso	1

Tabella 1

4. Elementi di controllo

4.1 Parti e comandi

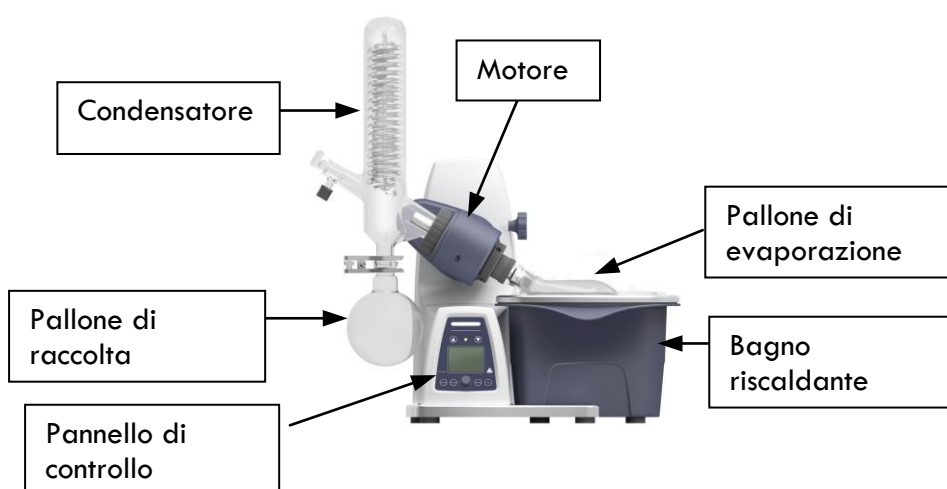


Figura 1

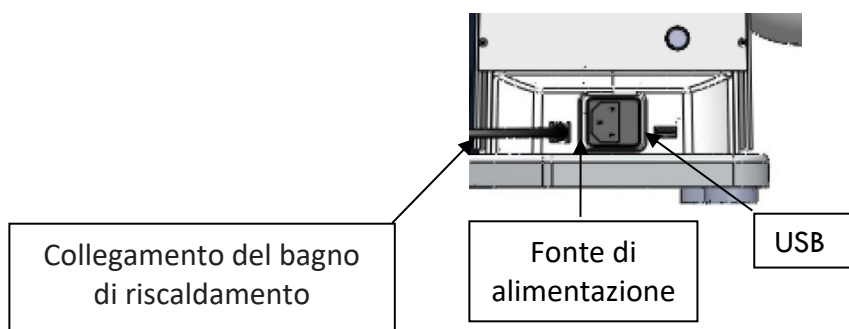


Figura 2

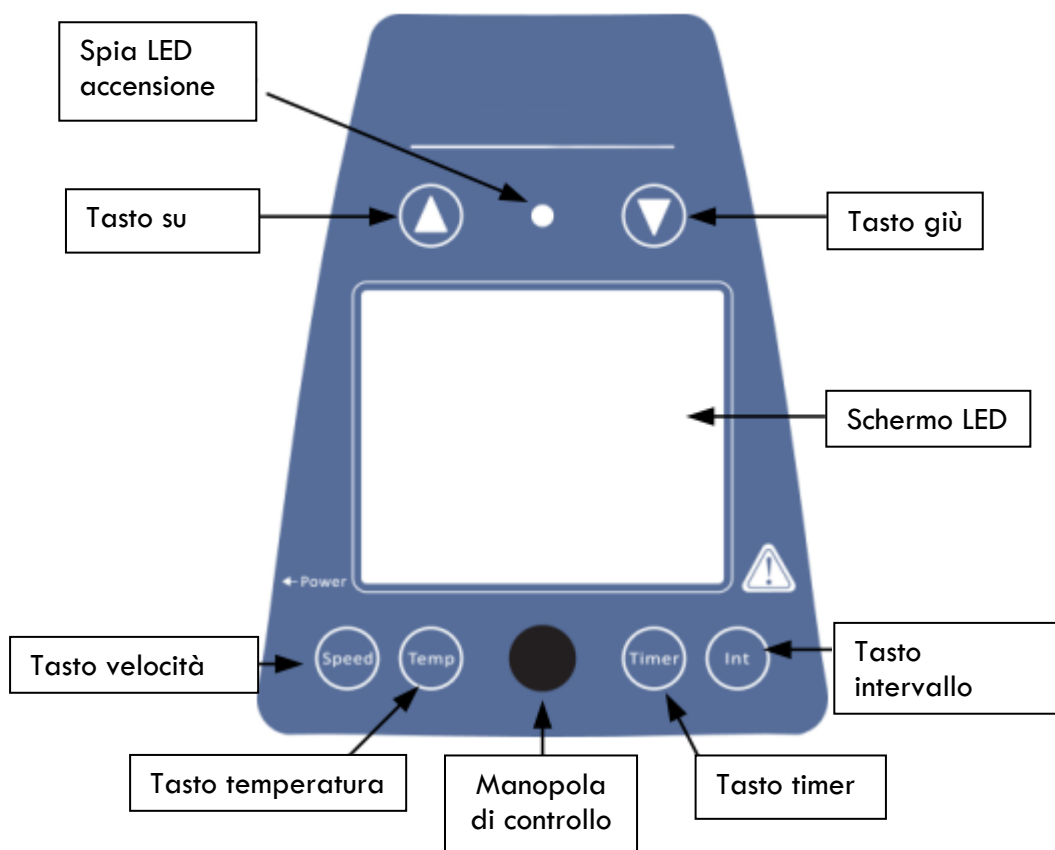


Figura 3

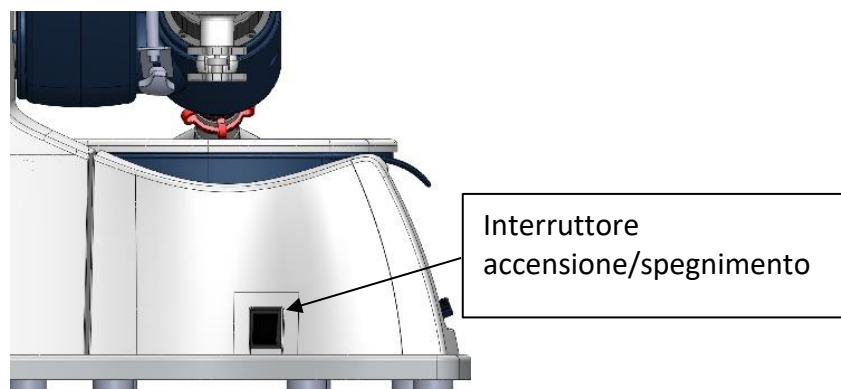


Figura 4

Elementi	Descrizioni
Tasto di velocità Speed	Premere il tasto e poi ruotare la manopola di controllo per impostare la velocità nominale all'interno del range, da 20 a 280 rpm
Tasto temperatura Temp	Premere il tasto e poi ruotare la manopola di controllo per impostare la temperatura nominale all'interno del range, da temperatura ambiente a 180°C
Tasto timer Timer	Premere il tasto e poi ruotare la manopola di controllo per impostare il tempo nominale all'interno del range, da 1 a 999 min.
Tasto intervallo Int	Premere il tasto e poi ruotare la manopola di controllo per impostare l'intervallo del tempo di rotazione in senso orario/antiorario all'interno del range, da 1 a 999 s
Manopola di controllo	Ruotare verso destra per aumentare il valore da impostare. Ruotare verso sinistra per diminuire il valore da impostare. Premere questo pulsante per accendere/spegnere l'unità.
Tasto su	Premere il pulsante per far salire l'elevatore. Rilasciare il pulsante per bloccare l'elevatore in posizione
Tasto giù	Premere il pulsante per far scendere l'elevatore. Rilasciare il pulsante per bloccare l'elevatore in posizione
Schermo LCD	Lo schermo LCD mostra lo stato reale di lavorazione
Spia LED di accensione	Quando l'apparecchiatura è accesa o in funzione, la spia LED si illumina.
Interruttore accensione/spegnimento	Accensione o spegnimento

Tabella 2

4.2 Schermo

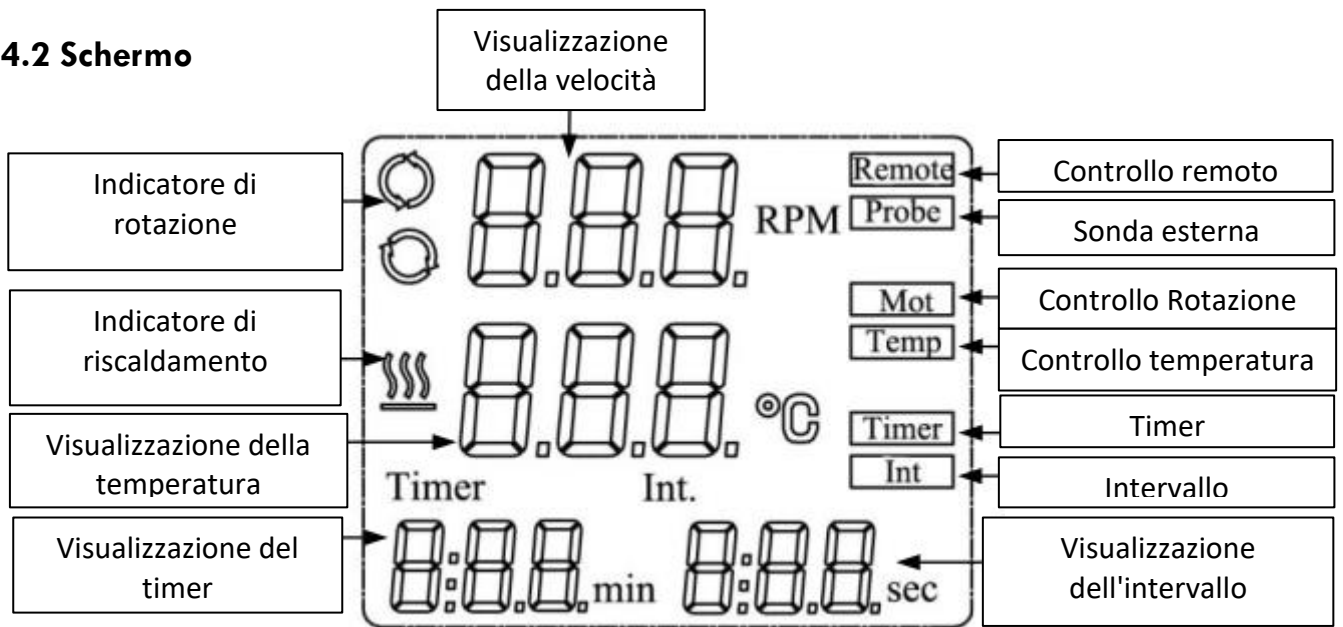


Figura 5

Schermo	Descrizioni
Remote	Appare in caso di controllo Remoto (questa funzione non è disponibile per questo modello)
Probe	Appare in caso di utilizzo di un sensore esterno
Mot	Appare quando si avvia la funzione di rotazione
Temp	Appare quando si avvia la funzione di riscaldamento
Timer	Appare quando si avvia la funzione timer
Int	Appare quando si avvia la funzione 'int'
Visualizzazione di velocità	Quando si imposta la velocità, il valore selezionato lampeggia fino a quando la velocità reale non raggiunge effettivamente il valore impostato
Indicatore di rotazione	Appare quando la funzione di rotazione è avviata
Visualizzazione della temperatura	Quando si imposta la temperatura, appare il valore programmato. Quando si attiva la funzione di riscaldamento, sullo schermo viene visualizzato il valore effettivo
Indicatore di riscaldamento	Appare quando si attiva la funzione di riscaldamento
Visualizzazione del timer	Quando si imposta il timer, appare l'orario nominale. Una volta attivata la funzione timer, appare il tempo restante.
Visualizzazione dell'intervallo	Appare il valore oggettivo "Int"

Tabella 3

5. Montaggio e funzionamento

In questa sezione viene descritto il montaggio dell'apparecchio e vengono fornite le istruzioni per una prima messa a punto.

Nota: Ispezionare lo strumento prima del primo utilizzo e in fase di disimballaggio. Se necessario, contattare il fornitore dell'apparecchiatura e conservare l'imballaggio originale per il trasporto.

5.1 Montaggio

Collocare lo strumento su una superficie orizzontale stabile, tenendo in considerazione le dimensioni massime del prodotto montato. Eseguire le distillazioni sotto vuoto e con l'evaporatore rotante posizionato sotto una cappa di aspirazione.

5.1.1 Regolazione della base

Adattare la base dell'apparecchio al piano di lavoro, ruotando i piedini come mostrato nella figura 6.

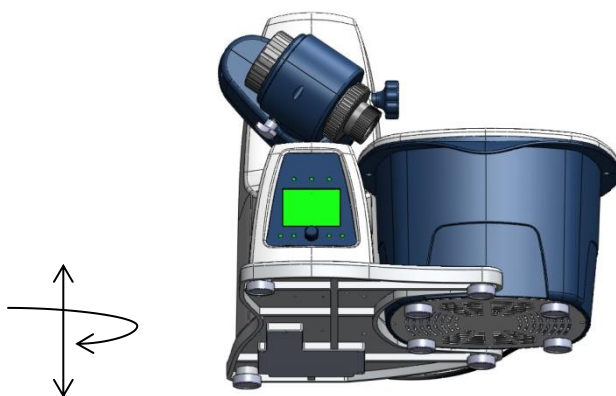


Figura 6

5.1.2 Posizione di lavoro e collegamenti elettrici

L'apparecchio presenta un blocco di sicurezza per il trasporto; procedere nella maniera indicata per far sì che l'evaporatore assuma la posizione di lavoro:

-Con una mano, tenere l'elevatore nella stessa posizione con cui è stato fornito all'interno dell'apparecchio. Con l'altra mano, procedere quindi a svitare la chiavetta di blocco posizionata sulla parte posteriore dell'apparecchio (A).

-Una volta rimossa la chiavetta di blocco, rilasciare l'elevatore che, in questo modo, inizierà a salire lentamente fino alla posizione di lavoro. Percorrerà uno spazio di circa 150 mm

-Collegare l'apparecchio alla rete elettrica (B) utilizzando il cavo di alimentazione

-Collegare il bagno termostatico all'apparecchio (C)

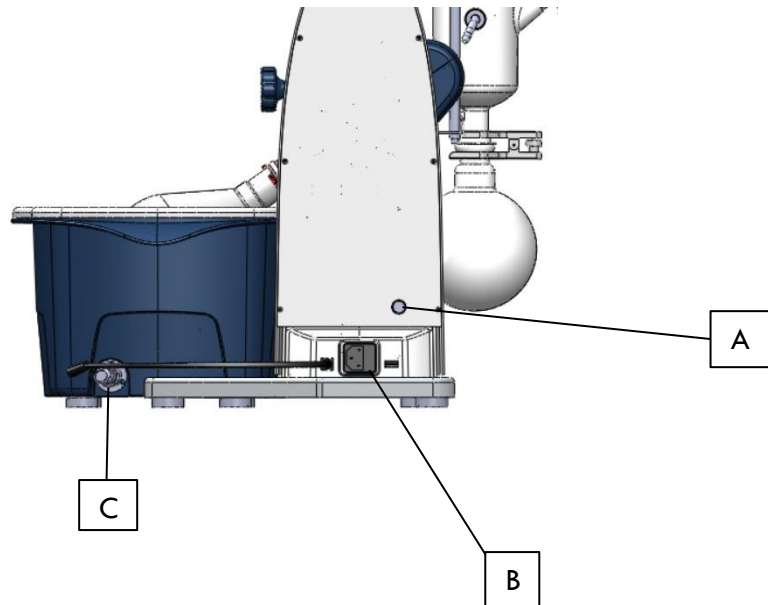


Figura 7

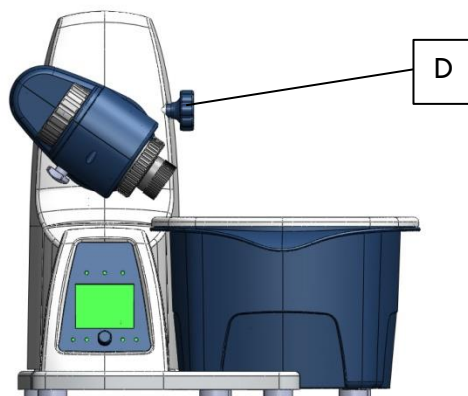


Attenzione

- Accertarsi che la tensione richiesta dall'apparecchiatura corrisponda a quella della rete elettrica utilizzata.
- Collegare lo strumento a una fonte di alimentazione provvista di messa a terra.

5.1.3 Regolazione dell'angolo di rotazione

- Mediante la manopola (D), è possibile regolare l'angolo di rotazione dell'apparecchio. Ruotare la manopola in senso antiorario per poter modificare l'angolo di rotazione
- Aiutandosi con le mani, impostare un angolo di circa 30°



- Una volta stabilita l'angolazione, serrare la manopola (D) facendola ruotare in senso orario. In questo modo, si fissa il corpo che sostiene la vetreria.

5.1.4 Condotto del vapore

Per inserire il condotto di evaporazione (E), procedere secondo le indicazioni seguenti:

-Aprire il dispositivo di bloccaggio (F), situato nell'unità principale, svitando le 4 viti e ruotando in senso antiorario

-Inserire il condotto di evaporazione fino all'arresto

-Chiudere il dispositivo di bloccaggio ruotando in senso orario e avvitare nuovamente le 4 viti, per una maggiore tenuta

-Il dado per vite in plastica (G) contribuisce a creare una chiusura ermetica senza esercitare tensione sulla porzione a contatto

-Per installare il dado, è sufficiente introdurlo nel condotto di evaporazione e avvitarlo in senso orario

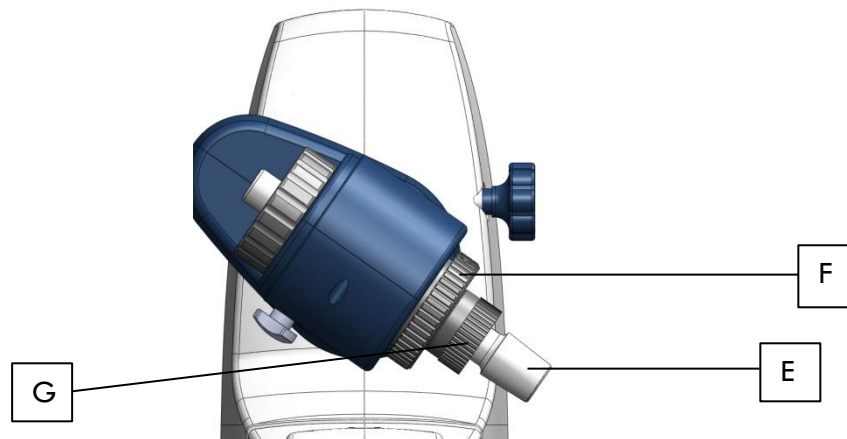


Figura 9

5.1.5 Guarnizione del condensatore

La guarnizione del condensatore ha la funzione di assicurare la tenuta ermetica e garantire il vuoto dell'apparecchiatura. Si posiziona nella parte a contatto con il condensatore. Per montarla, osservare le seguenti immagini:



Figura 10

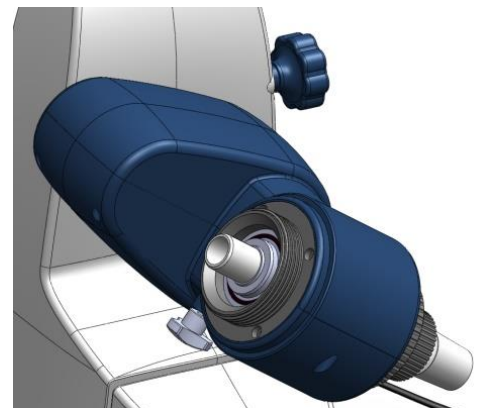


Figura 11

Nota: Le sezioni 5.1.2 e 5.1.3 non necessitano di montaggio in quanto arrivano dalla fabbrica già montate. È necessario eseguire questa operazione solo quando si desidera effettuare una manutenzione o cambiare gli accessori dell'apparecchiatura. Per vedere la lista degli accessori che è possibile fornire, vedere la sezione 9: "Accessori e pezzi di ricambio"

5.1.6 Condensatore

-Inserire nel condensatore prima il dado (H) e, a seguire, la molla di bloccaggio (I)

Una volta assemblate queste parti, posizzarle e montarle sul corpo principale ruotando il dado (H) in senso orario

-Per una migliore tenuta, accendere l'apparecchio e farlo ruotare a 200 rpm per 2 minuti

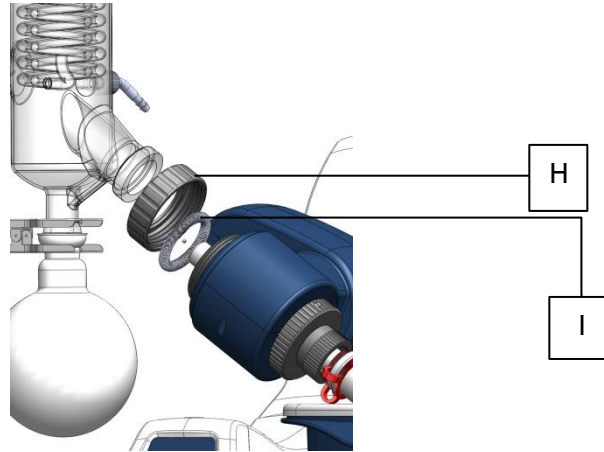


Figura 12

5.1.7 Asta di supporto

L'asta di supporto è provvista di un nastro che fissa la configurazione di vetreria. Questo accessorio è facoltativo e ha l'unico scopo di fornire ulteriore stabilità all'apparecchio. In particolare, se ne raccomanda l'impiego nelle configurazioni di vetreria contenenti un condensatore.

-Per installare l'asta di supporto (J), è necessario utilizzare la chiavetta di bloccaggio (A) rimossa nella sezione **“5.1.2 Posizione di lavoro e collegamenti elettrici”**

-Collocare l'asta di supporto tra il refrigeratore e il corpo principale; utilizzare la chiavetta di bloccaggio (A) e avvitarla nella parte inferiore del motore, dove è presente una scanalatura. Una volta fissata la posizione, utilizzare il nastro fornito in dotazione con l'apparecchiatura per circondare il condensatore e unirlo al dispositivo di bloccaggio

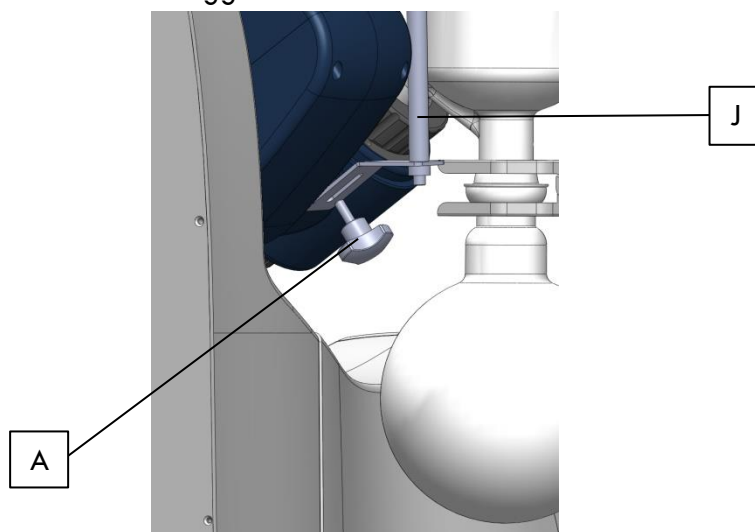


Figura 13



Attenzione

L'asta di supporto non è progettata per sostenere da sola il peso della configurazione di vetreria.

5.1.8 Collegamenti dei tubi

L'immagine seguente mostra uno schema del collegamento dei tubi dell'apparecchiatura:

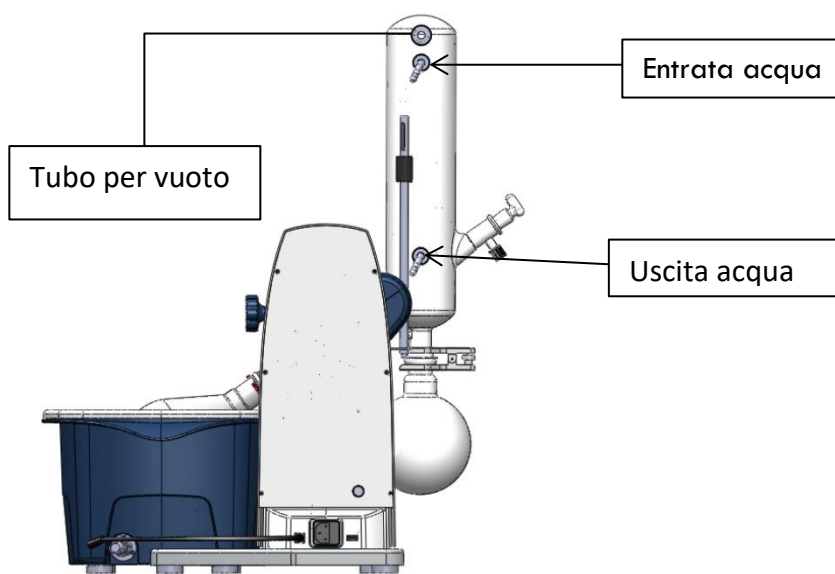


Figura 14

5.1.8.1 Tubi di collegamento con l'acqua

Quando si collegano i tubi per l'acqua del condensatore, è necessario tenere in considerazione i seguenti punti:

- Utilizzare i raccordi per tubi di colore rosso, in dotazione con l'apparecchiatura
- I tubi utilizzati devono avere lo stesso diametro del raccordo, 8 mm circa, consultare la sezione **"9: Accessori e pezzi di ricambio"** per vedere i nostri riferimenti
- Per motivi di sicurezza, cercare di fissare i tubi con fascette a morsetto; si raccomanda di consultare la sezione **"9: Accessori e pezzi di ricambio"**
- Di tanto in tanto, controllare i tubi e sostituirli se fragili o danneggiati

5.1.8.2 Tubi per vuoto

Quando si collegano i tubi per creare il vuoto nell'apparecchiatura, tenere in considerazione le seguenti indicazioni:

- Utilizzare i raccordi per tubi di colore rosso, in dotazione con l'apparecchiatura
- I tubi utilizzati devono avere lo stesso diametro del raccordo, 8 mm circa, consultare la sezione **"9: Accessori e pezzi di ricambio"** per vedere i nostri riferimenti
- I tubi per vuoto devono essere i più corti possibile
- Le tubazioni per vuoto non hanno bisogno di essere fissate
- Di tanto in tanto, controllare i tubi e sostituirli se fragili o danneggiati.

5.2 Utilizzo

Questa sezione espone come operare in sicurezza con i vari elementi e modalità di funzionamento dell'apparecchiatura, conformemente all'uso previsto.



Avvertenza

Rischio di lesioni

Non utilizzare in nessun caso lo strumento se la vetreria è danneggiata

5.2.1 Regolazione dell'altezza del motore

Per una maggiore ergonomia della postazione di lavoro, l'altezza del motore può essere regolata in base alle esigenze dell'operatore. Se si desidera modificare l'altezza, procedere nel modo seguente:

- Una volta acceso l'apparecchio, premere il pulsante [su] o [giù] e l'altezza cambierà automaticamente
- Se si desidera interrompere la regolazione dell'altezza, sarà sufficiente rilasciare il pulsante e l'apparecchio si fermerà automaticamente al livello raggiunto

5.2.2 Regolazione della temperatura del bagno

Non appena si accende l'apparecchiatura premendo il pulsante di accensione/spegnimento, il bagno termostatico inizierà a scaldarsi, se la temperatura effettiva è più bassa di quella impostata.

Per impostare una temperatura, premere il pulsante di regolazione della temperatura "temp" e, ruotando la manopola di controllo, selezionare la temperatura desiderata. Per confermare l'azione, premere la manopola di controllo.



Avvertenza

Il bagno termostatico può raggiungere temperature superiori a 100°C.


Per evitare ustioni, tenere presente quanto segue:

- Rimuovere il pallone a contatto con il bagno, in quanto uno schizzo potrebbe causare un'ustione.
- Assicurarsi che il liquido non debordi dal bagno quando il pallone vi è immerso.

5.2.3 Regolazione dell'angolo di rotazione

L'angolo di immersione all'interno del bagno termostatico è, di default, di circa 30°. Se si necessita operare con un'altra angolazione, come nel caso in cui si lavori con un pallone di dimensioni diverse, è possibile regolare l'angolo in base alle proprie esigenze


- Spegnere lo strumento
- Con una mano, afferrare la configurazione di vetreria, ovvero il condensatore assieme al pallone di raccolta; con l'altra mano, ruotare e aprire la chiavetta situata nel motore (vedere sezione 5.1.3)
- Una volta aperta la chiavetta, regolare l'angolazione. Una volta regolato l'angolo, serrare la chiavetta per fissare la posizione di rotazione

	<p>Avvertenza Rischio di lesioni Non mettere in funzione l'apparecchio se la configurazione di vetreria è danneggiata</p> <p>Attenzione Rischio di danni allo strumento Non regolare l'angolo di rotazione mentre l'apparecchio è in funzione</p>
---	---

5.2.4 Regolazione della velocità

Per regolare la velocità di rotazione dell'apparecchio:

-Premere il pulsante di regolazione della velocità "speed" e, ruotando la manopola di controllo, selezionare la velocità desiderata. Premere la manopola di controllo per confermare l'azione

	<p>Attenzione Rischio di danni allo strumento Adeguare la velocità di rotazione alle dimensioni del pallone e alle proprietà del solvente</p>
---	---

5.2.5 Regolazione del timer

Se si desidera far lavorare l'apparecchio per un lasso di tempo specifico, procedere nel modo seguente:

-Premere il pulsante "time" e, di seguito, ruotando la manopola di controllo, scegliere il periodo di tempo durante il quale si desidera fare lavorare lo strumento (min).

-Per confermare e memorizzare l'azione, premere la manopola di controllo.

-Se si desidera disattivare questa funzione, regolare il valore del tempo sullo "0" e premere la manopola di controllo per confermare.

5.2.6 Condizioni di distillazione

Al fine di raggiungere delle condizioni di distillazione ottimali, l'energia di distillazione apportata dal bagno termostatico deve essere eliminata attraverso il condensatore.

Per garantire quanto sopra, si raccomanda di far lavorare lo strumento attenendosi alle seguenti regole standard:

-Acqua di raffreddamento: max 20°C

-Vapore: 40°C

-Bagno termostatico: 60°C

Come si ottengono queste condizioni?

-Impostare il bagno termostatico a 60°C

-Impostare la temperatura di raffreddamento a un massimo di 20°C

-Utilizzando un misuratore di portata, far scorrere acqua fredda attraverso il condensatore a una velocità di circa 40-50 l/h

-Selezionare il vuoto in modo che il punto di ebollizione del solvente sia di 40°C.

È possibile vedere la pressione corrispondente nella tabella dei solventi della sezione 12

Vantaggi associati a una temperatura del bagno pari a 60°C:

-Il pallone di evaporazione può essere rimosso senza rischio di ustioni

-L'indice di evaporazione dell'acqua nel bagno è basso (ridotta perdita di energia)

-L'energia del bagno termostatico viene sfruttata con un buon livello di efficienza

Questa regola può essere applicata anche a

-Acqua di raffreddamento: 0°C

temperature del bagno più basse, ad esempio:

-Vapore: 20°C

-Bagno termostatico: 40°C

5.2.7 Distillazione

Per iniziare a lavorare con l'apparecchio, verificare che:

- Tutti i collegamenti elettrici siano connessi
- Tutto il sistema di guarnizioni sia montato correttamente
- Tutti i giunti o parti di contatto siano lubrificati

Per iniziare a operare con l'apparecchio, eseguire i passaggi seguenti:

- Accendere l'apparecchiatura
 - Far scorrere l'acqua fredda attraverso il condensatore a una temperatura massima di 20°C e a una portata di 40-50 l/h
 - Impostare la temperatura del bagno termostatico al valore desiderato, come descritto in precedenza, e attendere che il bagno raggiunga la temperatura programmata
 - Riempire il pallone di evaporazione con la soluzione da distillare e assicurarsi che non superi un peso massimo di 3 kg
 - Montare il pallone servendosi di pinze e grasso lubrificante o vasellina
- Nota: Scegliere la pressione in modo che il punto di ebollizione del solvente sia di 40°C (consultare la tabella dei solventi, nella sezione 12)*
- Impostare la velocità di rotazione

Se le operazioni descritte in precedenza si svolgono senza intoppi, l'apparecchiatura sarà pronta per essere utilizzata. In caso contrario, l'evaporatore rotante potrebbe essere stato danneggiato durante il trasporto. In questo caso, si prega di contattare l'assistenza tecnica.

6. Guasti

Questa sezione riassume le azioni da intraprendere in caso di problemi minori nel funzionamento dell'apparecchio. Vengono elencati tutti i possibili problemi e le relative soluzioni.

6.1 Malfunzionamento generale e soluzioni

L'apparecchio non si accende:

- Accertarsi che l'impianto elettrico non sia scollegato
- Verificare che il cavo sia ben collegato sia all'apparecchio che alla presa elettrica

Il bagno termostatico non si riscalda:

- Verificare che sia ben collegato al corpo principale
- Sostituire il fusibile. Se il malfunzionamento si ripresenta, contattare il fornitore dell'apparecchiatura

L'elevatore non funziona correttamente:

- Contattare direttamente il fornitore dell'apparecchiatura

Il pallone non ruota correttamente:

- Impostare una velocità di rotazione pari a 0 rpm e farla aumentare lentamente fino a quando il motore di rotazione non farà girare il pallone
- Riavviare l'apparecchio

Il sistema gocciola o sono presenti perdite di liquido:

-Lubrificare i giunti in corrispondenza dei punti di contatto dei materiali

-Controllare i raccordi dei tubi e regolarli correttamente

-Le tubazioni sono rovinate. In questo caso, sostituire i tubi

-Il sistema di guarnizioni è rovinato o non è stato montato correttamente. Controllare il sistema di guarnizioni descritto nelle sezioni 5.1.4 e 5.1.5

-Nel caso in cui non si risolve il problema, sostituire la guarnizione per vuoto o la guarnizione del condensatore

6.2 Malfunzionamento del sistema per vuoto e soluzioni

Non riesce a creare il vuoto in tutto il sistema:

-Controllare che tutti i giunti e i raccordi siano lubrificati e ben incassati

-Se si sta utilizzando una pompa per vuoto, aprire completamente il rubinetto dell'acqua a cui è collegata la pompa per vuoto

La distillazione, gradualmente, sparisce:

-Aumentare manualmente il vuoto fino a quando la distillazione non riprende

-Se il problema persiste, fermare l'apparecchiatura e la pompa per vuoto, aprire la valvola del vuoto e verificare la presenza di eventuali perdite di vuoto in giunti e raccordi, controllando che siano lubrificati e perfettamente incassati

La distillazione si interrompe completamente:

-Fermare l'apparecchiatura e la pompa per vuoto, aprire la valvola del vuoto e verificare la presenza di eventuali perdite di vuoto in giunti e raccordi, controllando che siano lubrificati e perfettamente incassati

7. Manutenzione e pulizia

In questa sezione sono presenti le istruzioni per eseguire tutte le procedure di manutenzione, allo scopo di conservare l'apparecchiatura in condizioni di lavoro ottimali.



Avvertenza

Pericolo elettrico

Eseguire il lavoro di manutenzione con l'apparecchio scollegato dalla rete elettrica e lontano da fonti di vapore infiammabile

7.1 Collocazione dell'apparecchiatura

Verificare lo spazio nel quale si intende collocare di default l'apparecchio (controlli, disinfestazioni) e pulirlo regolarmente con un panno umido.



Attenzione


Non utilizzare mai solventi organici come prodotti per la pulizia, in quanto possono danneggiare l'apparecchiatura

7.2 Collegamenti dei tubi

Esaminare a vista i collegamenti delle tubazioni con regolarità. Quando i tubi appaiono rotti o danneggiati, sostituirli con dei nuovi.

Consultare la sezione **“9: Accessori e pezzi di ricambio”** per vedere l'elenco degli articoli che possiamo fornire.

7.3 Sistema di guarnizioni

	Attenzione Quando si rimuovono e si rimontano le guarnizioni per vuoto, accertarsi di non danneggiarle maneggiandole. Non avvicinare mai le guarnizioni di tenuta a un oggetto affilato, in quando potrebbero danneggiarsi.
---	--

7.3.1 Sostituzione delle guarnizioni

Le guarnizioni sono sottoposte a notevoli tensioni e, di solito, sono tra le componenti dell'apparecchiatura che più "risentono" dell'utilizzo. È opportuno verificarne regolarmente le condizioni e, se necessario, procedere alla loro sostituzione. Consultare la sezione 7.2. al fine di rilevare eventuali guasti e la sezione 5.5. per montare correttamente il sistema di guarnizioni. Per ulteriori informazioni, contattare il distributore che ha fornito l'apparecchio.

7.4 Bagno termostatico

È necessario pulire la superficie interna del bagno termostatico nei seguenti casi:

-L'acqua utilizzata nel bagno è calcificata o contaminata.

-Se si utilizza olio invece che acqua, si dovrà lavare la superficie interna del bagno nel momento in cui l'olio cambia di aspetto (colore, viscosità...)

A tal fine, rimuovere il bagno termostatico e svuotarlo in un luogo sicuro.

7.5 Vetreria

Per prolungare la vita utile della vetreria, tenere in considerazione le seguenti indicazioni:
Sciacquare la vetreria con acqua e un prodotto detergente.

Nota: Si consiglia di lavare tutta la vetreria a mano.

Nota: utilizzare i prodotti detergenti raccomandati per ciascuna situazione elencata di seguito:

Coloranti	Alcool isopropilico
Materiali da costruzione	Acqua con tensioattivi/Alcool isopropilico
Prodotti cosmetici	Acqua con tensioattivi/Alcool isopropilico
Prodotti alimentari	Acqua con tensioattivi
Combustibili	Acqua con tensioattivi

Tabella 4

8. Caratteristiche tecniche

Elementi	Specifiche
Tensione [VCA]	100-240
Frequenza [Hz]	50/60
Potenza [W]	1400
Motore	Motore senza spazzole con rotore esterno
Range di velocità [rpm]	20-280
Schermo	LCD
Direzione di rotazione invertibile	Sì
Range di temperatura [°C]	RT-180

Precisione del termostato [°C]	±1
Uscita di calore [W]	1300
Elevatore	Motore
Percorso elevatore [mm]	150
Timer [min]	1-999
Dimensioni esterne [D x W x H, mm]	465 x 457 x 583
Peso [kg]	15
Temperatura ambiente [°C]	5-40
Umidità relativa	80%
Classe di protezione DIN EN60529	IP20
USB	Sì

Tabella 5

9. Accessori e ricambi

Questa sezione include gli accessori, le guarnizioni di tenuta e la vetreria che è possibile fornire. Si raccomanda di utilizzare esclusivamente gli accessori originali LABBOX per garantire il funzionamento dell'apparecchiatura e assicurare un corretto funzionamento del sistema.

9.1 Configurazioni di vetreria

Riferimento Labbox	Descrizione
REVA-A01-001	Set di vetreria verticale, include condensatore, pallone di distillazione (269/32) e pallone di raccolta (35/20)
REVA-A02-001	Pallone di raccolta (35/20), capacità 1000 ml
REVA-A03-001	Condotto del vapore

Tabella 6

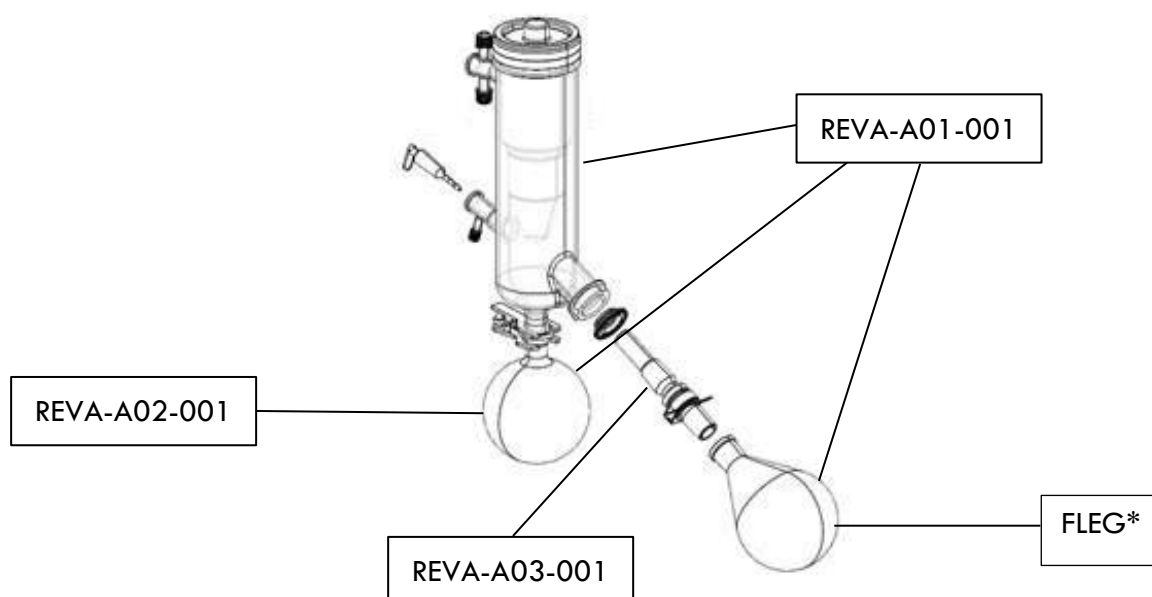


Figura 15

*

Pallone di evaporazione	Capacità
FLEG-051-001	50 ml
FLEG-101-001	100 ml
FLEG-250-001	250 ml
FLEG-500-001	500 ml
FLEG-1K0-001	1000 ml
FLEG-2K0-001	2000 ml

Tabella 7

9.2 Parti per vuoto e accessori

Riferimento Labbox	Descrizione
REVA-A04-001	Guarnizione per vuoto
REVA-A05-001	Fascetta a morsetto per il pallone di evaporazione
LTXT-007-005	Tubazioni in lattice, colore ambrato, 7 x 10 mm, 5 m
RUTT-008-002	Tubazioni in gomma per vuoto, 8 x 16 mm, 2 m
VACU-R20-001	Pompa per vuoto LBX R20 chimicamente resistente, 18 l/min, -750 mmHg

Tabella 8

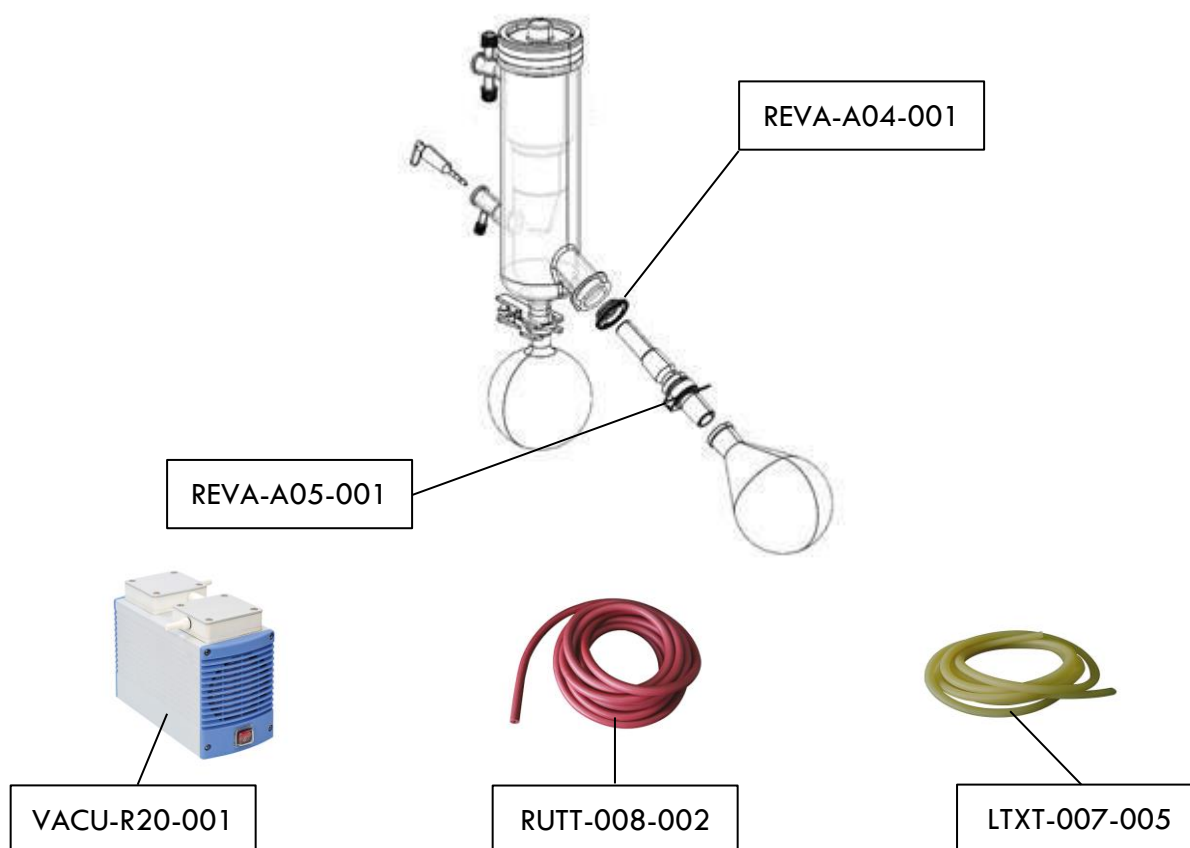


Figura 16

Per ulteriori informazioni su accessori o materiali da laboratorio, vi invitiamo a visitare il nostro sito web www.labbox.com o telefonare al numero **0034 902 99 53 18**.

10. Norme applicabili

Fabbricato in conformità con le seguenti norme di sicurezza
EN 6110-1 (Requisiti di sicurezza per apparecchi elettrici di misura, controllo e per utilizzo in laboratorio. Parte 1/ requisiti generali)
UL 3101-1 (Apparecchi elettrici per utilizzo in laboratorio; Parte 1: Requisiti generali)
CAN/CSA C22.2 (1010-1)
EN61010-2-10 (Riscaldamento)
Fabbricato in conformità con la seguente norma EMC
EN 61326-1 (Compatibilità elettromagnetica)
Direttive UE associate:
Direttiva EMC: 89/336/EWG
Direttiva dell'apparecchio: 73/023/EWG

Tabella 9


Eventuali variazioni o modifiche non esplicitamente approvate dal responsabile della conformità possono annullare l'autorità dell'utente a operare con l'apparecchiatura.

Nota: Questa apparecchiatura è stata testata e ritenuta conforme ai limiti delle apparecchiature elettriche di classe A, in conformità alla parte 15 delle norme FCC. Questi limiti hanno lo scopo di fornire una protezione dalle interferenze quando l'apparecchiatura viene utilizzata in un ambiente commerciale. Questa apparecchiatura genera, utilizza e può emanare energia a radiofrequenza e pertanto, se non installata e utilizzata nel rispetto del manuale di istruzioni, può causare interferenze nelle comunicazioni radio. L'utilizzo di questa apparecchiatura in zone residenziali può causare interferenze dannose, nel qual caso l'utente è tenuto ad adottare, a sue spese, le contromisure necessarie per ovviare a tali interferenze.

11. Conservazione e trasporto

La presente sezione spiega come conservare lo strumento e imballarlo per il trasporto, indicando le condizioni specifiche di conservazione e trasporto.

Conservazione e trasporto

	Attenzione <i>Pericolo biologico</i> Eliminare tutte le sostanze pericolose dallo strumento e pulirne a fondo tutte le parti. Conservare sempre l'apparecchiatura in un luogo asciutto e pulito, ben ventilato e privo di gas corrosivi. Durante il trasporto, evitare che l'apparecchiatura si bagni o subisca dei colpi. Conservare e trasportare l'apparecchiatura nel suo imballaggio originale.
---	--

**Attenzione***Pericolo elettrico*

Estrarre sempre la spina dalla presa, onde evitare il rischio di elettrocuzione rappresentato dai cavi in tensione.

Smaltimento

Per smaltire lo strumento in modo eco-compatibile, consultare l'elenco dei materiali utilizzati fornito nella sezione 3. L'elenco aiuta a separare e riciclare correttamente le varie componenti. Si raccomanda di seguire le normative locali e regionali in materia di smaltimento.

12. Tabella dei solventi

Solvente	Formula	Massa molare (g/mol)	Energia de evaporazione (J/g)	Punto di ebollizione a 1013 mbar (°C)	Densità (g/cm ³)	Pressione assoluta per punto di ebollizione a 40°C (mbar)
Acetone	CH ₃ H ₆ O	58,1	553	56	0,790	556
1-pentanololo	CH ₅ H ₁₂ O	88,1	595	37	0,814	11
Benzene	C ₆ H ₆	78,1	548	80	0,877	236
n-butanolo	C ₄ H ₁₀ O	74,1	620	118	0,810	25
2-metile-2-propanolo	C ₄ H ₁₀ O	74,1	590	82	0,789	130
Clorobenzene	C ₆ H ₅ Cl	112,6	377	132	1,106	36
Cloroformio	CHCl ₃	119,4	264	62	1,483	474
Cicloesano	C ₆ H ₁₂	84,0	389	81	0,779	235
Dietilere	C ₄ H ₁₀ O	74,0	389	35	0,714	atmosferico
1,2-dicloroetano	C ₂ H ₄ Cl ₂	99,0	335	84	1,235	210
1,2-dicloroetilene (cis)	C ₂ H ₂ Cl ₂	97,0	322	60	1,284	479
1,2-dicloroetilene (trans)	C ₂ H ₂ Cl ₂	97,0	314	48	1,257	751
Diisopropilere	C ₂ H ₂ C ₁₂	102,0	318	68	0,724	375
Diossano	C ₆ H ₁₄ O	88,1	406	101	1,034	107
DMF	C ₄ H ₈ O ₂	73,1	-	153	0,949	11
Acido acetico	C ₃ H ₇ NO	60,0	695	118	1,049	44
Etanolo	C ₂ H ₄ O ₂	46,0	879	79	0,789	175
Acetato di etile	C ₄ H ₈ O ₂	88,1	394	77	0,900	240
Eptano	C ₇ H ₁₆	100,2	373	98	0,684	120
Esano	C ₆ H ₁₄	86,2	368	69	0,660	335
Alcool isopropilico	C ₃ H ₈ O	60,1	699	82	0,786	137
3-metile-1-butanolo	C ₅ H ₁₂ O	88,1	595	129	0,809	14
Butanone	C ₄ H ₈ O	72,1	473	80	0,805	243
Metanolo	CH ₄ O	32,0	12327	65	0,791	337
Diclorometano	CH ₂ Cl ₂	84,9	373	40	1,327	atmosferico
Pentano	C ₅ H ₁₂	72,1	381	36	0,626	atmosferico
1-propanolo	C ₃ H ₈ O	60,1	787	97	0,804	67
Pentacloroetano	C ₂ HCl ₅	202,3	201	162	1,680	13
1,1,2,2-tetracloroetano	C ₂ H ₂ Cl ₄	167,9	247	146	1,595	35
Tetracloruro di carbonio	CCl ₄	153,8	226	77	1,594	271
1,1,1-tricloroetano	C ₂ H ₃ Cl ₃	133,4	251	74	1,339	300
Tetracloroetilene	C ₂ Cl ₄	165,8	234	121	1,623	53
THF	C ₄ H ₈ O	72,1	-	67	0,889	357
Toluene	C ₇ H ₈	92,2	427	111	0,867	77
Tricloroetilene	C ₂ HCl ₃	131,3	264	87	1,464	183
Acqua	H ₂ O	18,0	2261	100	1,000	72
Xilene (miscela)	C ₈ H ₁₀	106,2	389	-	-	25
o-xilene	C ₈ H ₁₀	106,2	-	144	0,880	-
m-xilene	C ₈ H ₁₀	106,2	-	139	0,864	-
p-xilene	C ₈ H ₁₀	106,2	-	138	0,861	-

Tabella 10

Nota importante para los aparatos electrónicos vendidos en España

Instrucciones sobre la protección del medio ambiente y la eliminación de aparatos electrónicos:



Los aparatos eléctricos y electrónicos marcados con este símbolo no pueden ser eliminados en forma de residuos urbanos.

De conformidad con la Directiva 2012/19/UE, los usuarios de la Unión Europea de aparatos eléctricos y electrónicos, tienen la posibilidad de devolver sus RAEE para su eliminación al distribuidor o fabricante del equipo después de la compra de uno nuevo. La eliminación ilegal de aparatos eléctricos y electrónicos es castigada con multa administrativa.

Remarque importante pour les appareils électroniques vendus en France

Informations sur la protection du milieu environnemental et élimination des déchets électroniques :



Les appareils électriques et électroniques portant ce symbole ne peuvent pas être jetés dans les décharges.

En réponse à la réglementation, Labbox remplit ses obligations relatives à la fin de vie des équipements électriques de laboratoire qu'il met sur le marché en finançant la filière de recyclage de ecosystem dédiée aux DEEE Pro qui les reprend gratuitement (plus d'informations sur www.ecosystem.eco).

L'élimination illégale d'appareils électriques et électroniques est punie d'amende administrative.

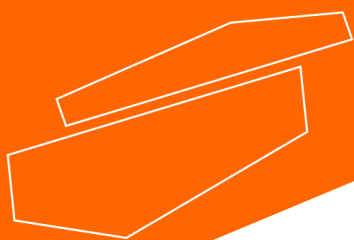
Nota importante per le apparecchiature elettroniche vendute in Italia

Istruzioni sulla protezione ambientale e sullo smaltimento dei dispositivi elettronici:



Le apparecchiature elettriche ed elettroniche contrassegnate con questo simbolo non possono essere smaltite come rifiuti urbani.

In conformità con la Direttiva 2012/19 / UE, gli utenti dell'Unione Europea di apparecchiature elettriche ed elettroniche hanno la possibilità di restituire i propri RAEE per lo smaltimento al distributore o al produttore di apparecchiature dopo averne acquistato uno nuovo. La rimozione illegale di apparecchiature elettriche ed elettroniche è punibile con una sanzione amministrativa.



www.labbox.com